

5+
YEARS


Premier Goal - 6'

WARNINGS

- To be assembled & dismantled by an adult.
- To be used on a flat surface.
- Check all nuts are firmly tight and the frame assembly is securely located before use.
- Ensure frame is securely pegged to ground before use.
- Do not leave outdoors in adverse weather conditions.
- Do not climb or hang from cross bar.
- Check regularly for wear and tear, discontinue use if any breakage is found. Failure to do this may result in injury.
- Check paintwork regularly, any signs of rust must be treated immediately.
- Keep away from fire.
- Keep away from heat sources.

THIS PRODUCT IS NOT SUITABLE FOR CHILDREN UNDER 3 YEARS DUE TO SMALL PARTS AND LONG STRAPS WHICH MAY REPRESENT AN ENTANGLEMENT HAZARD

Please retain this leaflet for reference to the manufacturer

Made in China to European Safety Standard



DISTRIBUTED BY



MV SPORTS & LEISURE LTD
35 Tameside Drive • Castle Bromwich
Birmingham • B35 7AG • UK
Email: info@mvsports.com
www.mvsports.com

CUSTOMER HELPLINE

We make every effort to ensure that this product reaches you in satisfactory condition.

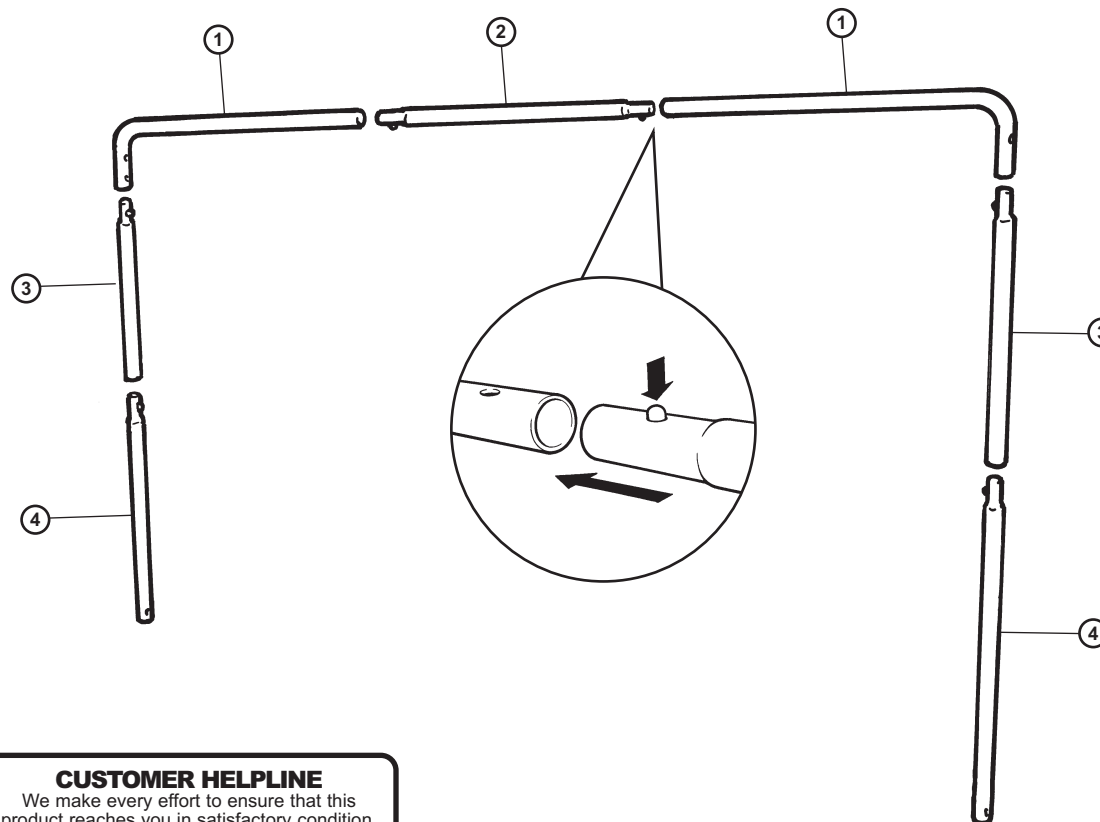
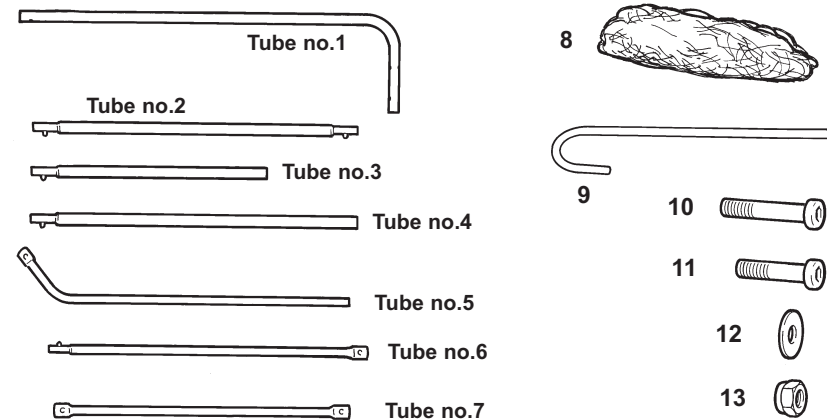
However if you have any queries, need assistance, or find this product defective, please call our Customer Helpline:

0870 8404255 (UK ONLY)

CONTENTS:

- Tube no.1 (x2)
- Tube no.2 (x1)
- Tube no.3 (x2)
- Tube no.4 (x2)
- Tube no.5 (x2)
- Tube no.6 (x2)
- Tube no.7 (x2)

- 8 Net (x1)
- 9 Steel peg (x5)
- 10 Long bolt (x4)
- 11 Medium bolt (x2)
- 12 Washer (x6)
- 13 Nut (x2)

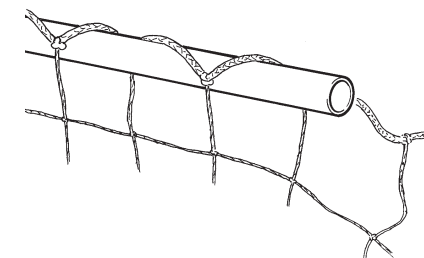


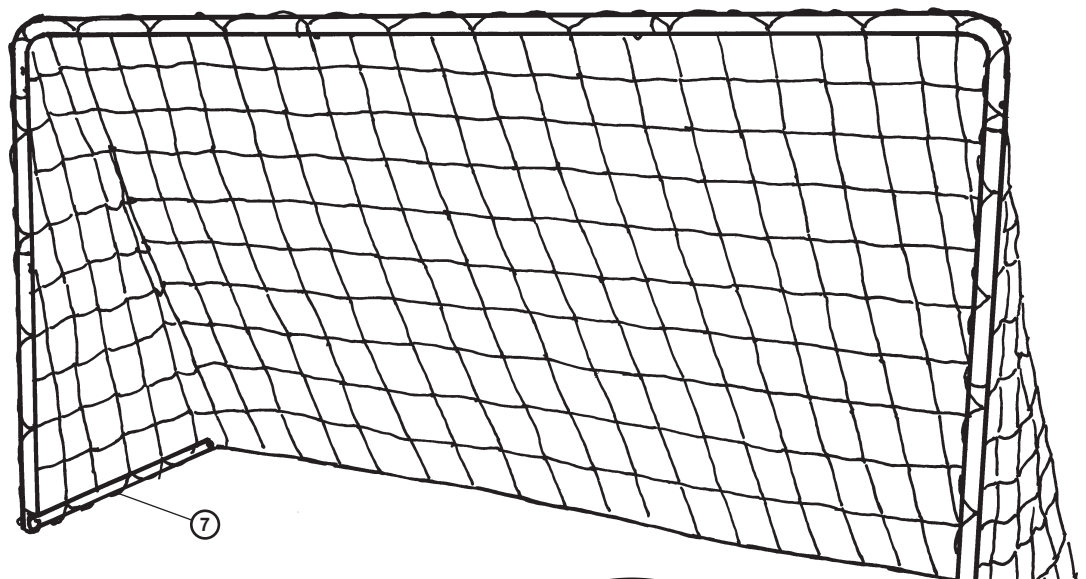
1 FRAME ASSEMBLY

Being careful to select the appropriately numbered tubes (tubes 1, 2, 3 & 4), assemble the frame as illustrated.

2 NET ASSEMBLY

Thread the net over the frame (tubes 1, 2, 3 & 4).

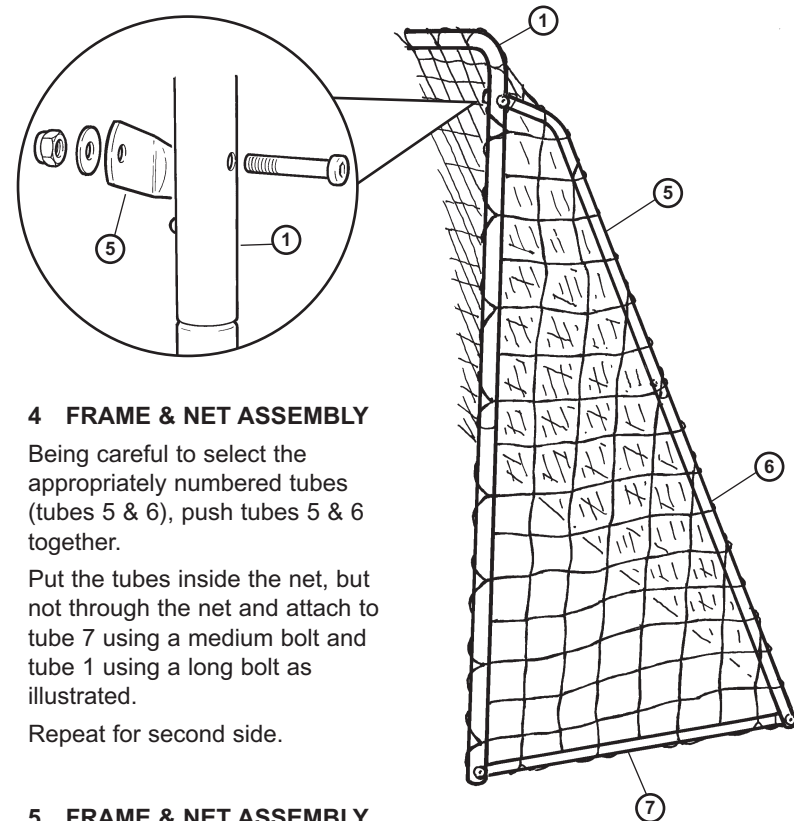
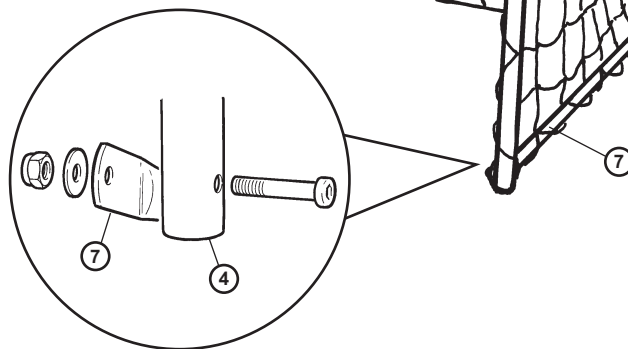




3 FRAME & NET ASSEMBLY

Being careful to select the appropriately numbered tubes (tube 7), thread tube 7 through the net and attach to the base of tube 4 using a long bolt as illustrated.

Repeat for second side.



4 FRAME & NET ASSEMBLY

Being careful to select the appropriately numbered tubes (tubes 5 & 6), push tubes 5 & 6 together.

Put the tubes inside the net, but not through the net and attach to tube 7 using a medium bolt and tube 1 using a long bolt as illustrated.

Repeat for second side.

5 FRAME & NET ASSEMBLY

Spread and stretch the net evenly around the frame.

6 SECURING FRAME

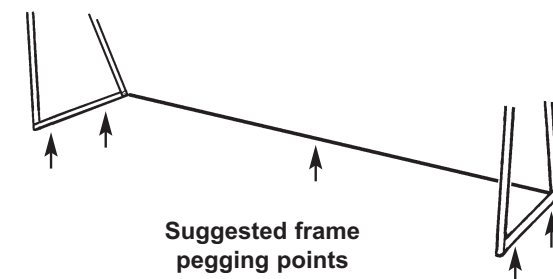
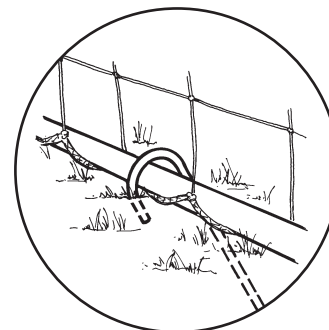
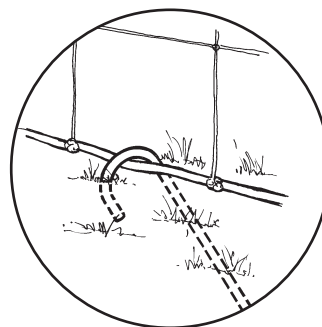
Fix the frame and net to the ground using the pegs supplied. Position around the frame base as illustrated.

Secure pegs using a mallet.

CAUTION: Check regularly that pegs are secure.

Loose pegs may cause injury.

Care should be taken when using a mallet as misuse may cause injury.



Suggested frame pegging points