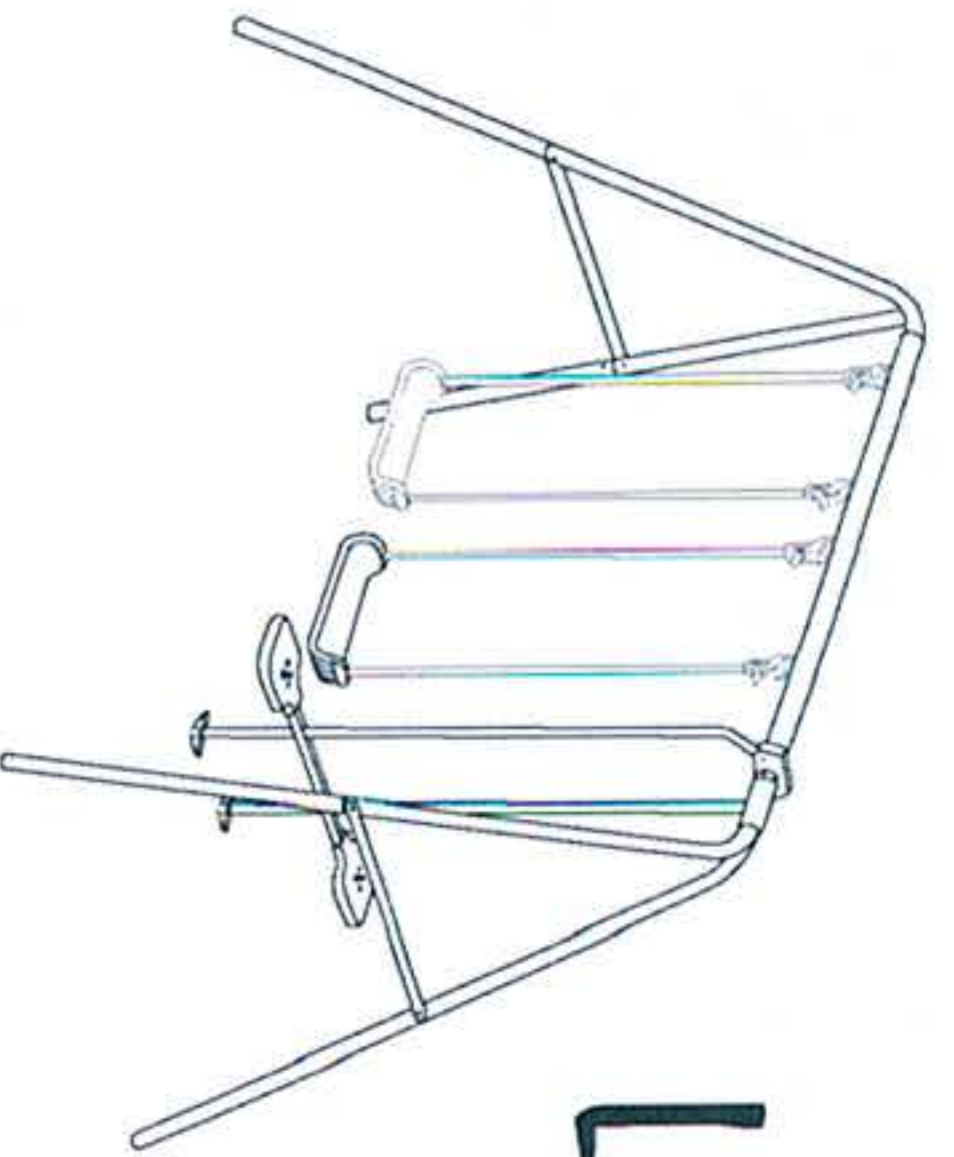


# LeisurePlay



## SNOWDON PLAYGYM

For children aged 3 to 10 years

### SAFETY NOTES

Not suitable for children under 3 years, contains small parts.  
The flat swing seat does not have a back or seat belt.  
Young children may not be competent to balance themselves.  
This equipment must be assembled and checked by an adult.  
Please retain complete instructions for future reference.

For family domestic use only.

For outdoor use.

Check all nuts and bolts for tightness and tighten when required.

Check all coverings for bolts and sharp edges and replace when required.

Check swings seats, chains, ropes and other means of attachments for evidence of deterioration. Replace when required in accordance with the manufacturer's instructions.

Place the swing on a level surface at least 2 meters from any structure or obstruction such as a fence, garage, house, overhanging branches, laundry line or electrical wires.

This item MUST be anchored firmly into the ground

DO NOT install the swing over concrete, asphalt or any other hard surface

DO NOT orientate the swing directly towards the sun.

Leave all fittings finger tight until assembly is complete (for ease of construction) - then tighten firmly.

Always supervise young children at play, until they are physically competent and confident.

Children should not wear cycle helmets whilst on this equipment.

This item is not designed for adults or for children weighing more than 45 kg (7 stone).

The total weight on the playgym at any one time must not exceed 145kg (22 3/4 stone).

DO NOT allow children to stand on the swing or glider seats.

DO NOT allow children to get off the swings or glider when they are still moving.

DO NOT twist swing ropes or wrap them over the top bar.

DO NOT allow loose, baggy (or hooded) clothes to be worn, since children can get trapped and may be unable to free themselves.

DO NOT allow children to climb on parts of this equipment not intended for this purpose.

DO NOT allow other children to wander into the play area when the equipment is in use.

DO NOT allow children to slide head-first down the chute, or walk up the chute.

Giders and swings must not exceed an angle of 60 degrees from the ground.

Regularly check the item for wear and damage, removing the item from use when necessary until replacement parts are fitted.

This product is for domestic use only and has not been designed for commercial use in play centres, nurseries, etc.

Failure to assemble this item as per the instruction may cause injury to the user.  
please keep these instruction in a safe place for future reference

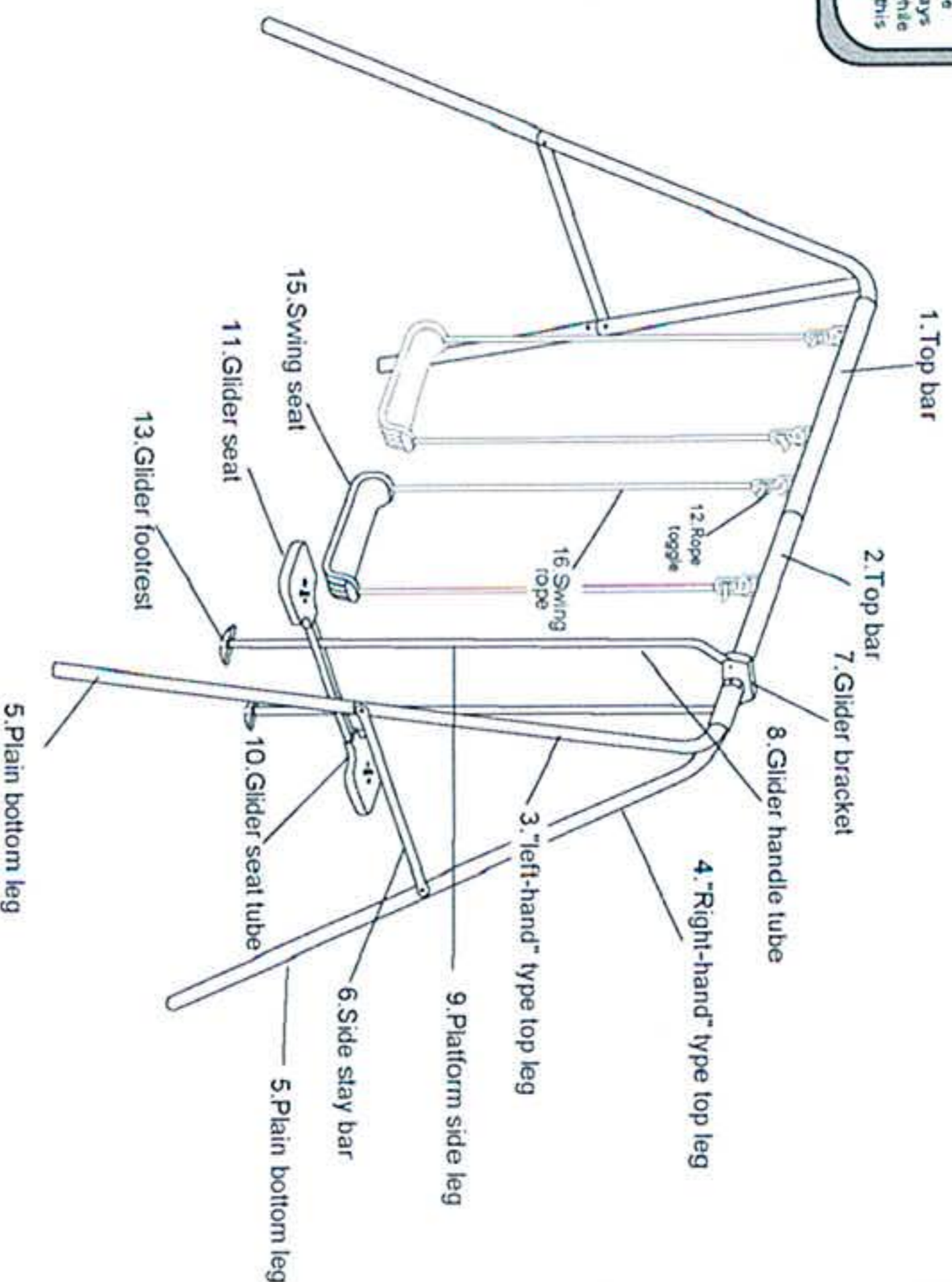
Conforms to BS EN11



**ONCE ASSEMBLY IS COMPLETED....** Before allowing children to play on this product, carefully check the equipment for any sharp edges and points. In the unlikely event that you do find any, please call our helpline number below. Do not allow children to use this product until the problem has been corrected.

### IMPORTANT

Make sure you read the safety notice on the front page, and always supervise children while they are playing on this equipment



### GUARANTEE

The metal framework of the equipment detailed within is guaranteed by Pot Black Ltd. For a period of 1 year from the date of purchase against failure due to rust perforation. (This being defined as the rusting through of metal tubes due to corrosion from the "inside out"). Plastic components are guaranteed for a period of 1 year from date of purchase. We take every precaution to ensure that this item is in good condition upon receipt. However, very occasionally parts do get damaged or are missing. Should this be the case with your purchase, firstly we apologize, secondly we invite you to contact our Customer Service Department (01237 426700).

Any defective part or parts will (as we see fit) either be exchanged or repaired free of charge. This guarantee is subject to the product having been used for the purpose for which it was designed, and assembled and maintained in accordance with these instructions. This guarantee does not cover any damage caused by storms, fire or floods, or by neglect or misuse. Any repairs or alterations carried out could also invalidate this guarantee. Please retain this guarantee and staple your receipt (Your proof of purchase) to these instructions for future reference.

This guarantee does not affect or prejudice any statutory rights you may have. Please contact our Customer Service Department regarding any query or claim on this guarantee. Any claim under this guarantee must be notified to our Customer Service Department within 30 days.

Please fill in details after purchase.

Product ref :  
Product description :  
Customer name :  
Address :  
Post code :  
Daytime tel :  
Date of purchase :  
Shop where purchased :

CUSTOMER SERVICE DEPARTMENT: TEL 01237 426700

MANUFACTURED IN CHINA FOR

**Pot Black Ltd,**  
**ALVERDISCOTT ROAD,**  
**BIDFORD,**  
**DEVON,**  
**EX39 4PN.**

Helpline



01237426700

# PARTS LIST

- 1 top bar x 1
- 2 top bar x 1
- 3 "left-hand" type top leg x 2
- 4 "right-hand" type top leg x 2
- 5 plain bottom leg x 4
- 6 side stay bar x 2
- 7 glider bracket x 1
- 8 glider handle tubes x 2
- 9 legs - platform side x 2
- 10 glider seat tubes x 2
- 11 glider seat x 2
- 12 rope toggle x 4
- 13 glider footrest x 2
- 14 plastic bearingst x 8
- 15 swing seat x 2
- 16 swing rope x 2
- 17 ground anchor x 4

**YOU WILL NEED:** 8mm, 10mm and 13mm spanners and a "pair-drive" type of screwdriver to assemble this product. These are not provided.

Please check and identify all component parts before you commence assembling this product. This product must be assembled by adults. **IMPORTANT:** To ensure the safety of the product, each step of the assembly must be followed in the correct order. **IMPORTANT:** In the unlikely event that you should find that there are any parts missing, please contact our Consumer Service, Helpline without delay. **CUSTOMER HELPLINE:** 01237 426700

Note: Only those parts or hardware must be used on this product. Use of other components may invalidate any guarantees made our company and may result in product failure and or consequent injury. Check the paintwork regularly, and if necessary, touch up using a non-toxic enamel or "car"-type paint. We regret that we cannot supply paint, as the type we use is only suitable for machine application.

# ASSEMBLY INSTRUCTIONS.

## FRAME ASSEMBLY.

Use the fitting pack marked MOD COMPACT™.

Fittings pack parts list

F1	65mm X 25 mm socket head M8 bolt X 3	W1	M8 washer X 3	W2	M8 washer X 6	B1	M8 domnut X 3
F2	55mm X 30 mm socket head M6 bolt X 4	W3	M6 washer X 4	W4	M6 washer X 8	B2	M6 domnut X 4
F3	allen key X 1	F4	spanner X 1				

**1** Insert a top bar (part 1) into a top bar (part 2) and fix using socket head M8 bolts (F1), M8 washers (W1 and 2) and M8 domnut (B1) as shown. Insert a left-hand top leg (part 3) and a right-hand top leg (part 4) into the end of the top bars (part 1 and 2) as shown, until the recesses in the legs align with the holes in the top bars, then fix using socket head M8 bolt (F1), 8 washers (W1 and W2) and M8 domnut (B1). Tighten firmly, but take care not to overtighten.

**2** Fit the plain bottom legs (part 5). Align the holes in the top and bottom leg sections, then fit the side stay bars (part 6) to the outside of the legs as shown in diagram a, and fix using socket head M6 bolts (F2), M6 washers (W3 and W4) and M6 domnuts (B2) as shown in diagram b. Tighten firmly, but take care not to overtighten.

**!** You will have left from the fitting pack: socket head M6 bolt x 4 (B2), M6 washers (W3 x 4 and W4 x 8) and M6 domnuts x 4 (B2). These are used later on to attach the ground anchors, so do not discard these items.

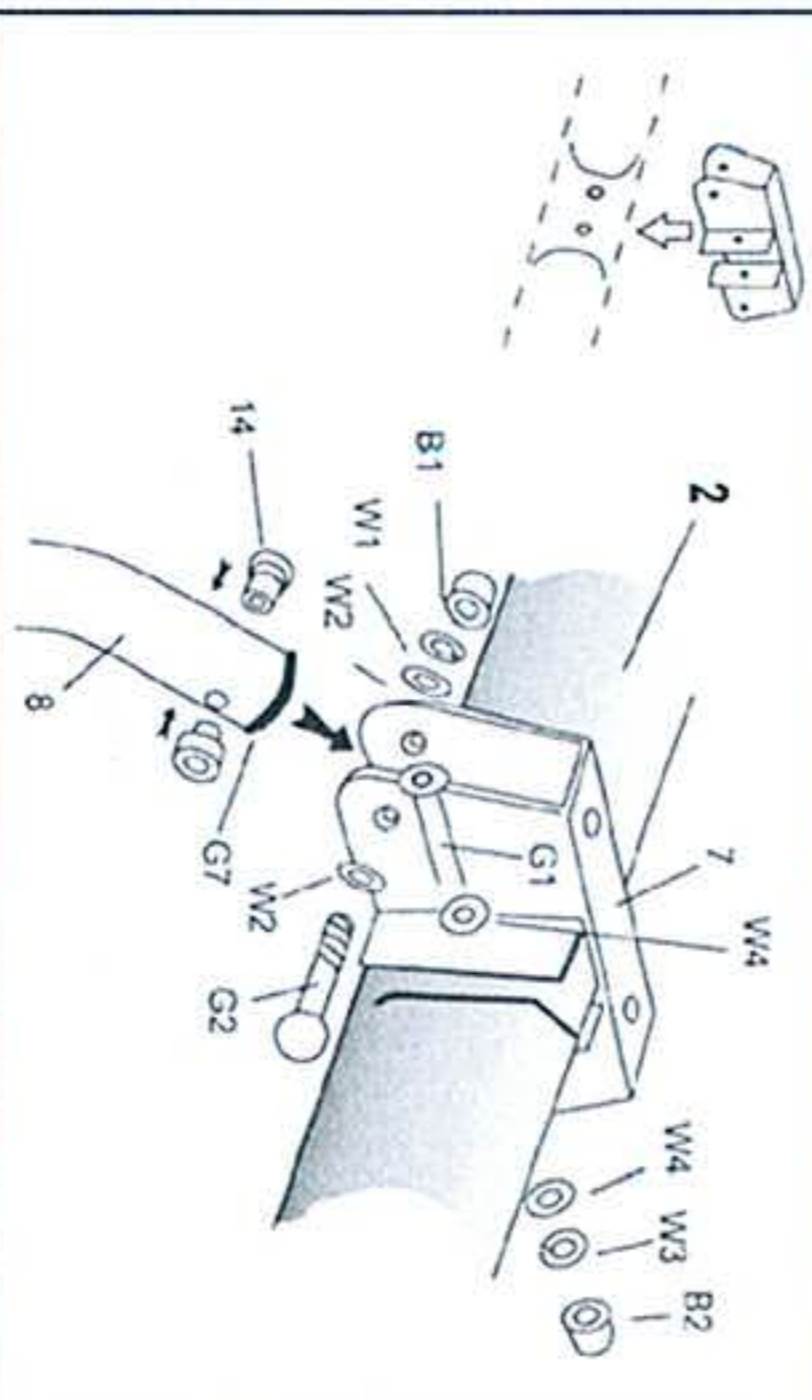
GLIDER ASSEMBLY.

Use the fittings pack marked "MOD-GLIDERIDE"

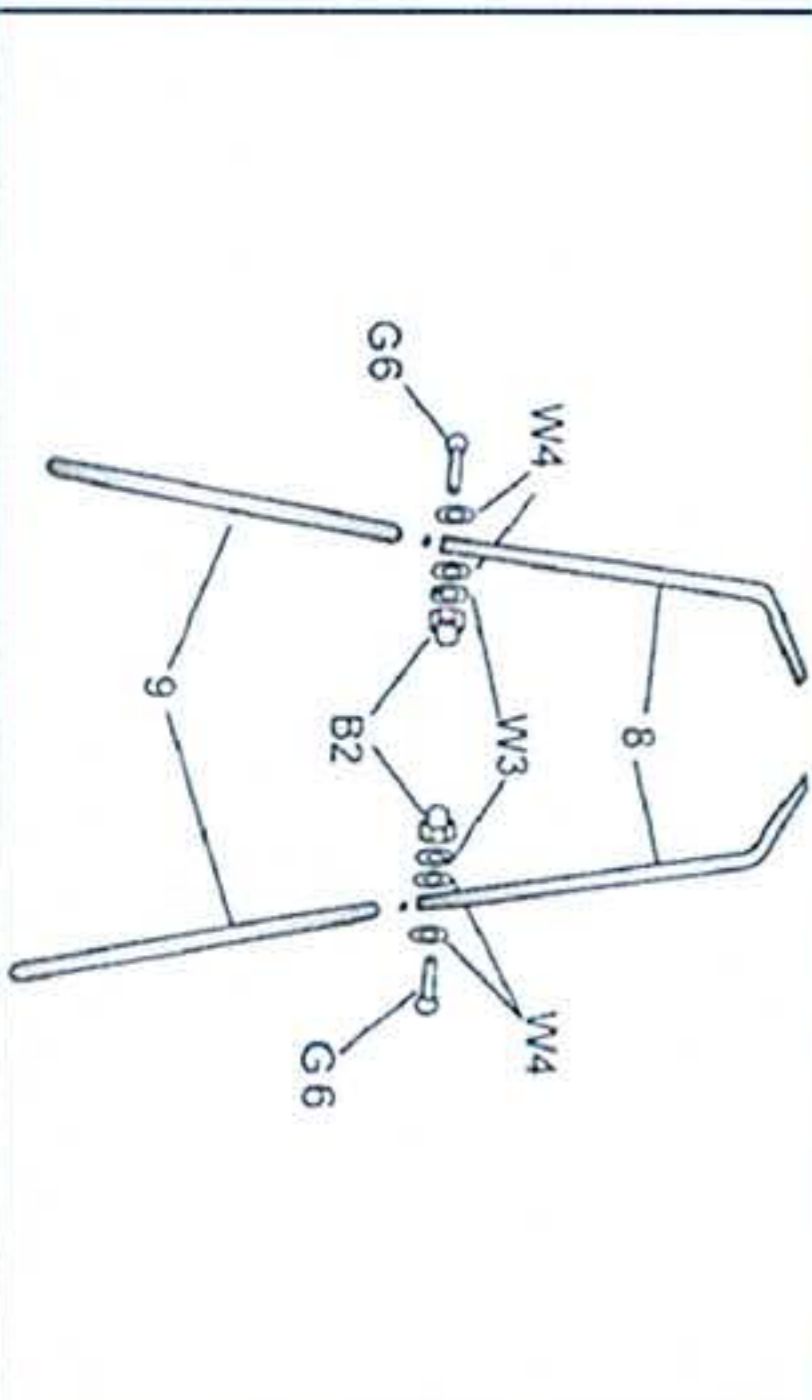
fittings pack parts list

G1.	51 mm x 30 mm socket head M6 bolt x 2	B1	M6 Dornnut x 4
G2.	47 mm x 25 mm socket head M8 bolt x 2	B2	M6 Dornnut x 14
G3.	34 mm x 20mm socket head M6 bolt x 8	W1	M8 washer x 4
G4.	82 mm x 25mm socket head M8 bolt x 2	W2	M8 washer x 8
G5.	42 mm x 20mm socket head M6 bolt x 2	W3	M6 washer x 14
G6.	37 mm x 20mm socket head M6 bolt x 2	W4	M6 washer x 28

**1** Fit the glider bracket (part 7) over the top bar. Align the holes and fix with socket head M6 bolt (G1), M6 washers (W4) and M6 dornnut (B2). Fit plastic inserts (G7) into the top of the glider handle tubes (part 8). Push fit the plastic bearings (part 14) into both top side holes of each glider handle tube as shown, then insert a glider handle tube into one side of the bracket and attach using socket head M8 bolt (G2), M8 washer (W2) and M8 dornnuts (B1). Repeat the operation for the other side of the bracket with the other glider handle tube. Tighten the bolts, but take care not to overtighten.



**2** Fit the platform side legs (part 9). Align the holes in the holes in the top and bottom of the glider handle tubes sections (part 8) and fix using socket head M6 bolts (G6), M6 washers (W3 and W4) and M6 dornnuts (B2) as shown in the diagram.



GLIDER ASSEMBLY.

Use the fittings pack marked "MOD-GLIDERIDE"

**3**

Diagram d: Attach both glider seat (part 11) to the seat tubes using 34x20mm socket head M6 bolts (G3), M6 washers (W3 and W4) and M6 dome nuts (B2). Now tighten all bolts but take care not to overtighten.

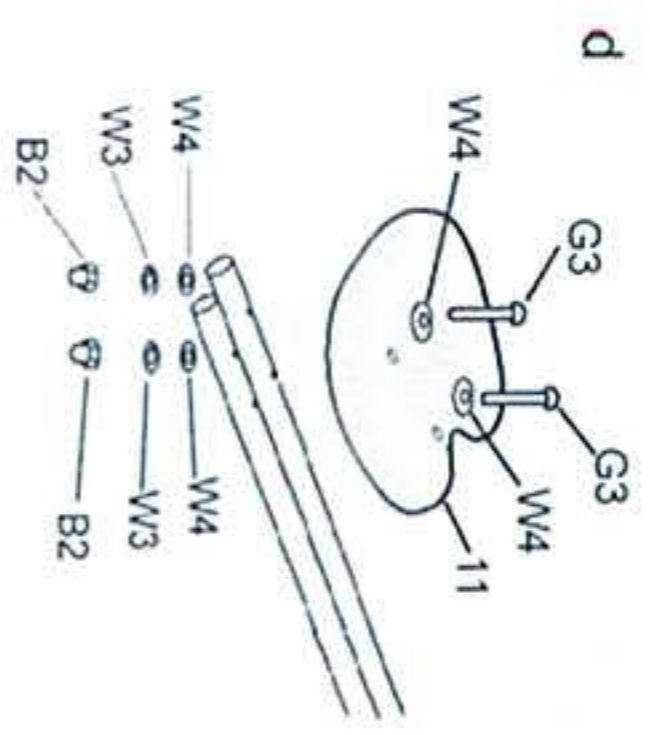
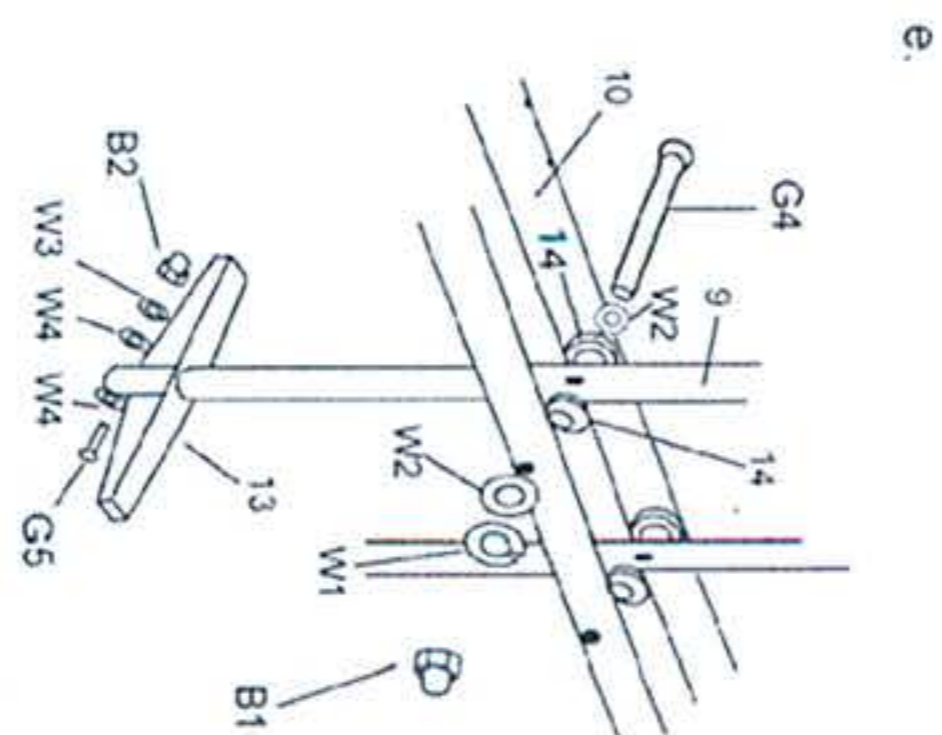


Diagram e: Push fit plastic bearings (14) into the side holes of platform side legs. Fit the glider seat tubes (part 10) to the platform side legs using 82x25mm socket head M8 bolt (G4), M8 washers (W1 and W2) and M8 dornnuts (B1), making sure that the indents in the holes at the ends at the seat tubes are facing upwards. Attach a glider footrest (part 13) to the bottom of the handle tubes using 41x20mm socket head M6 bolt (G5), M6 washers (W3 and W4) and M6 dornnuts (B2). Tighten but take care not to over-tighten.

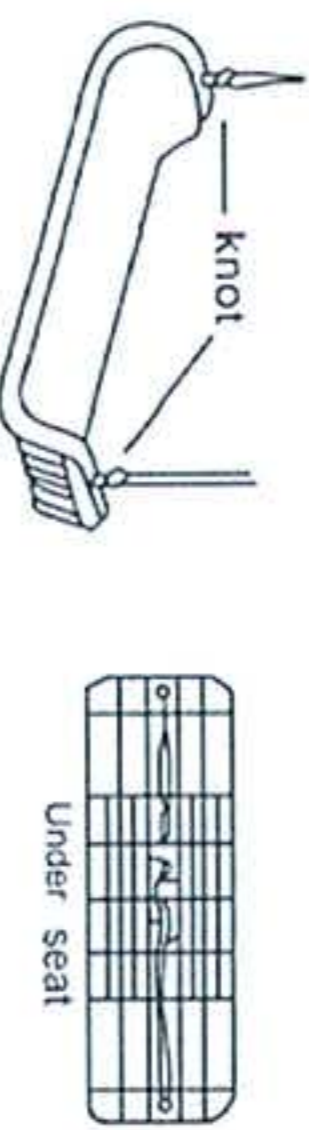


**SWING ASSEMBLY.**

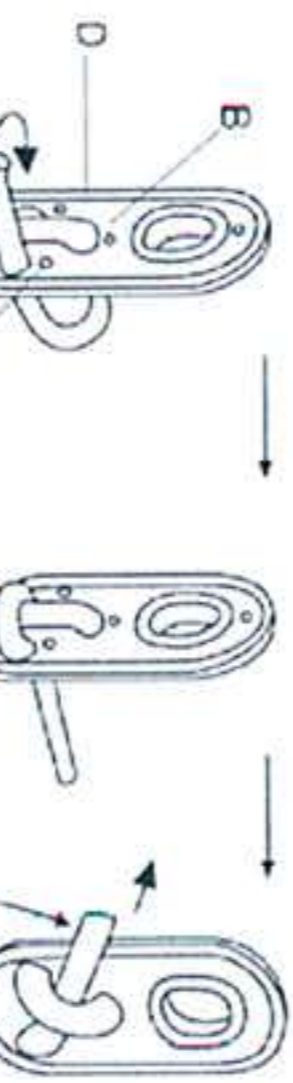
Use the fittings pack marked "MOD-SWING"

- S1  
 M8 "U" box. 4
- S2  
 M8 washer X 8
- S3  
 M8 washer X 16
- S4  
 M8 domnut X 8
- S5  
 M8 locknut X 8

**1** Thread the swing rope (part 16) through the swing seat (part 15), making sure that it fits into the staggered gate underneath, as shown in the diagram. The length of rope should be the same on both sides. Tie a knot in the rope on both sides of the seat as shown, with the knots as close as possible to the seat



**2** Fit the ends of the swing rope through the rope toggles (part 12) as shown to the diagrams - through hole "B" back through "C", through "D", then thread under the loop in the rope at the back



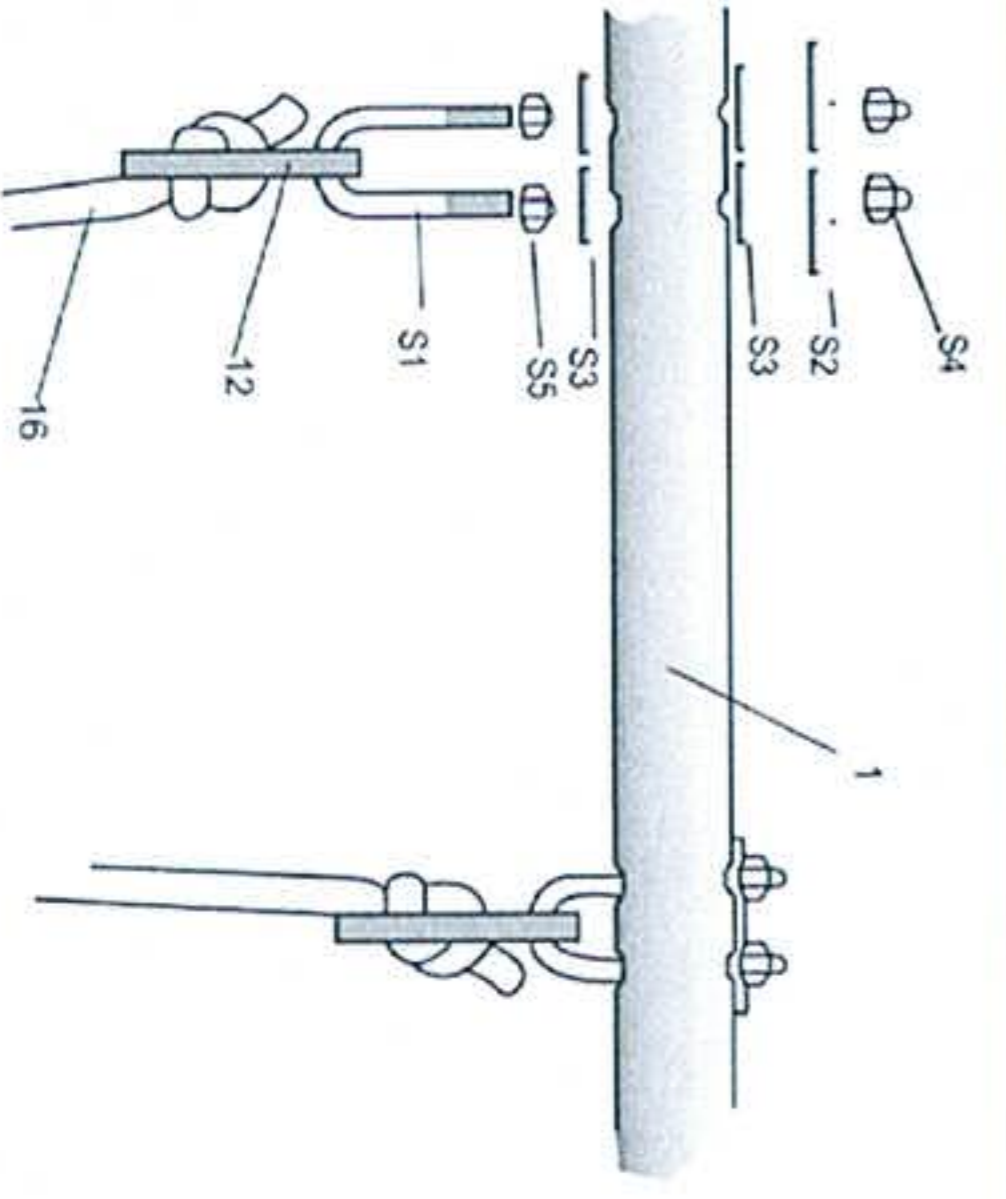
Allow a minimum of 3cm of rope after the knot.

**3** Fit the "U" bolts (S1) through the top hole (hole "A") in the rope toggles and then fix the "U" bolt to the top bar using M6 locknut(S5), M8 washers (S2), M6 washers(S3) and M8 domnuts(S4).

Tighten the nuts, but take care not to over-tighten.

The height of the swing seat can be adjusted through the rope toggles by untying the rope, pulling the rope through until the desired seat height is obtained, and then retying the rope. ALWAYS tie the rope exactly as shown in step 2 above.

Fit the second swing in exactly the same way.



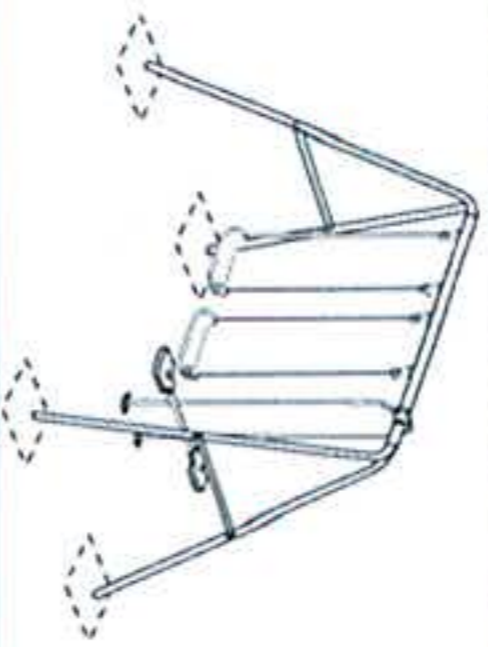
**ANCHORING THE GYM TO THE GROUND**

Use the fittings shown in the list below which were left over from the frame assembly

**IMPORTANT:** For safety reasons this gym MUST be anchored into the ground. We recommend that it is concreted in. If you are uncertain about this procedure, telephone our helpline number.

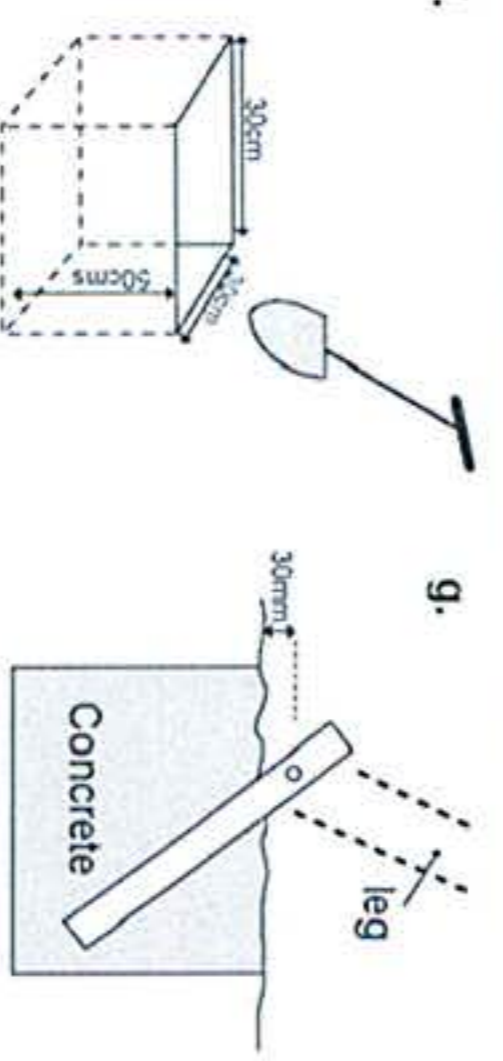
- P1  
 65mm socket head M6 bolt X 4
- W4  
 M6 washer X 8
- W3  
 M6 washer X 4
- B2  
 Medomnut X 4

**1** Place the whole playground in the desired location - this should be a flat level soft surface such as grass - never a hard surface. Mark 30cm square around the bottom of each of the four legs and the bottom of the ladder handrail tube as shown in the diagram. Make sure that the bottom of the legs and the ladder handle tube are right in the middle of each square. Move the playground out of the way.



**2** As shown in diagram f., dig out the 30cm squares down to a depth of about 50cm. Fill each hole with a stiff concrete mix. Place a ground anchor (part 15) into the center of the concrete in each hole, as shown in diagram g. Place the anchors at an angle as shown, in order to maximize their pull-out resistance. The center of the side hole in the anchor should be about 30mm above the top surface of the concrete.

Allow the concrete to set firmly.



**3** When the concrete has set, position the playground next to the ground anchors. Bolt the gym legs to the anchors as shown in diagram h, using socket head M6 bolt (P1), M6 washers (W3 and W4) and M6 domnuts (B2). Tighten firmly. Fit a 16mm insert into the top of each anchor.

Note: all the ground anchors should be on the "outside" of the gym.

