

MUSICAL SWING - M008631

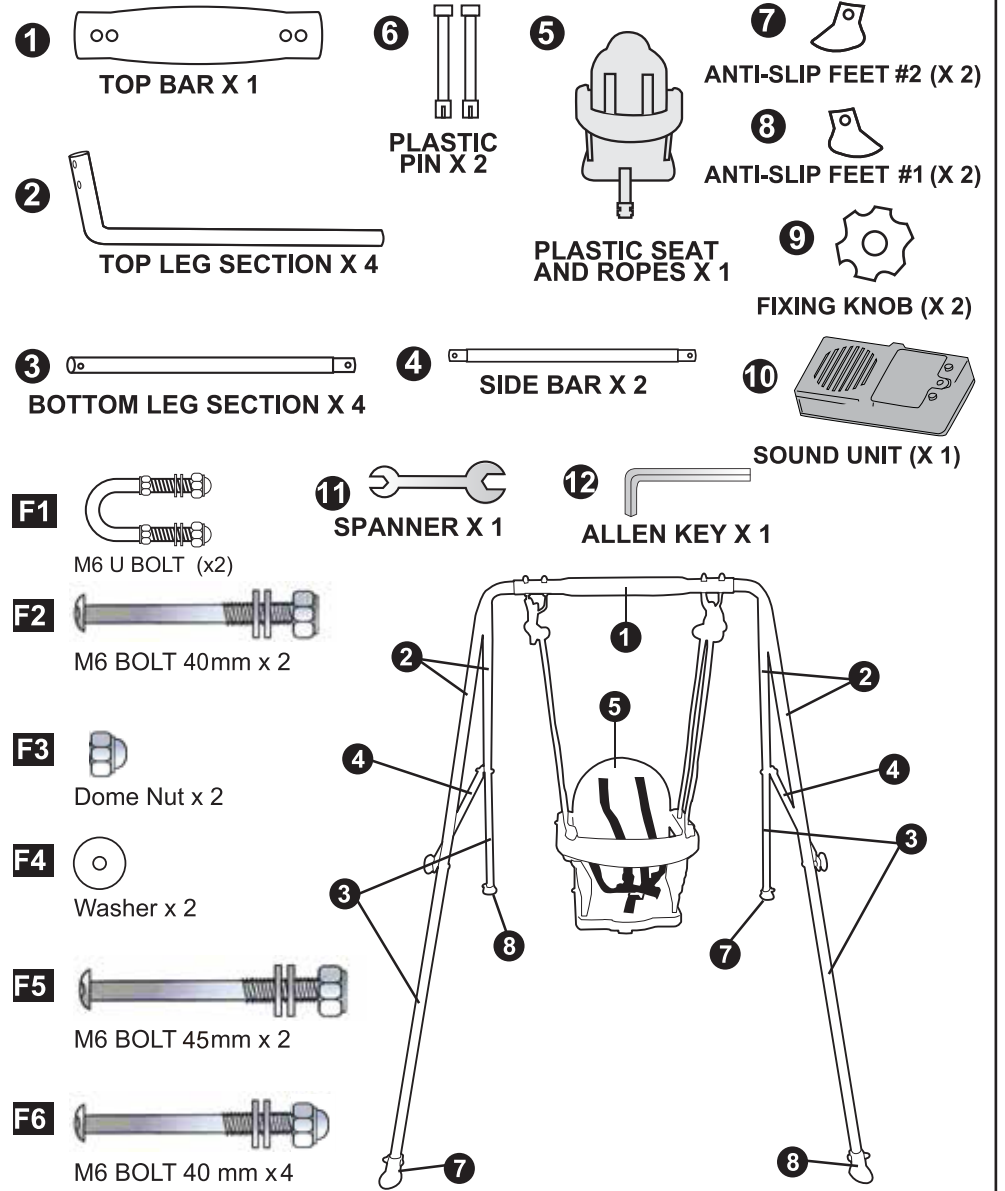
SAFETY GUIDELINES

WARNINGS:

For children 6-36 months, 20kg maximum.
 Only for domestic use. This product has not been designed for commercial use in play centers, nurseries etc.
 Suitable for indoor and outdoor use.
 Only one child per seat at any one time.
 This equipment must be assembled and checked by an adult. Two adults may be required to assemble this product.
 Adult supervision is required at all times.
 Always fasten the harness when the child is seated.
 Check all bolts, nuts and fittings are tight, secure and intact.
 Check all coverings for bolts and sharp edges and replace when required.
 Check swing seats, chain, ropes and other means of attachments if relevant to your product for evidence of deterioration. Replace when required in accordance with the manufacturers instructions if necessary.
 Place the product on level surface at least 2 metres from any structure or obstruction such as a fence, garage, house, wall, overhanging branches, laundry line or electrical wires.
 DO NOT install the product over concrete, asphalt or any hard surface.
 DO NOT orientate the product directly towards the sun.
 Leave all fittings finger tight until assembly is complete, for ease of construction. Then tighten firmly.
 Children should not wear cycle helmets whilst on this equipment.
 Do not allow children to stand on any swing seats, glider seats or slide chutes relevant to your product.
 Do not allow the children to jump or climb off any moving equipment.
 Do not twist swing ropes or wrap them over the top bar.
 Do not allow loose, hooded or baggy clothes to be worn as children can get trapped and may be unable to free themselves.
 Do not allow children to climb on parts of this equipment not intended for this purpose.
 Do not allow children to wander into the play area whilst the equipment is in use.
 Gliders and swings must not exceed an angle of 60 degrees from the ground.
 Regularly check the item for wear and damage, removing the item from use when necessary until replacement parts are fitted.
 Failure to assemble and maintain this item as per instruction may cause injury to the user.
 Please keep the instructions in a safe place for future reference.
 The clearance between the swing seat and the ground shall be between 200mm and 350mm.
 Sound unit must be removed and stored indoor in rainy day or when not in used.
 Non-rechargeable batteries are not to be recharged;
 Rechargeable batteries are only to be charged under adult supervision;
 Rechargeable batteries are to be removed from the toy before being charged;
 Different types of batteries or new and used batteries are not to be mixed;
 Batteries are to be inserted with the correct polarity;
 Exhausted batteries are to be removed from the toy;
 The supply terminals are not to be short-circuited
 Only batteries of the same or equivalent type as recommended are to be used
 Waste electrical product and batteries should not be disposed of with household waste. Separate disposal facilities exist, for your nearest facilities, see www.recycle-more.com.hk

Made in China to European Standards.
 Conforms to EN71

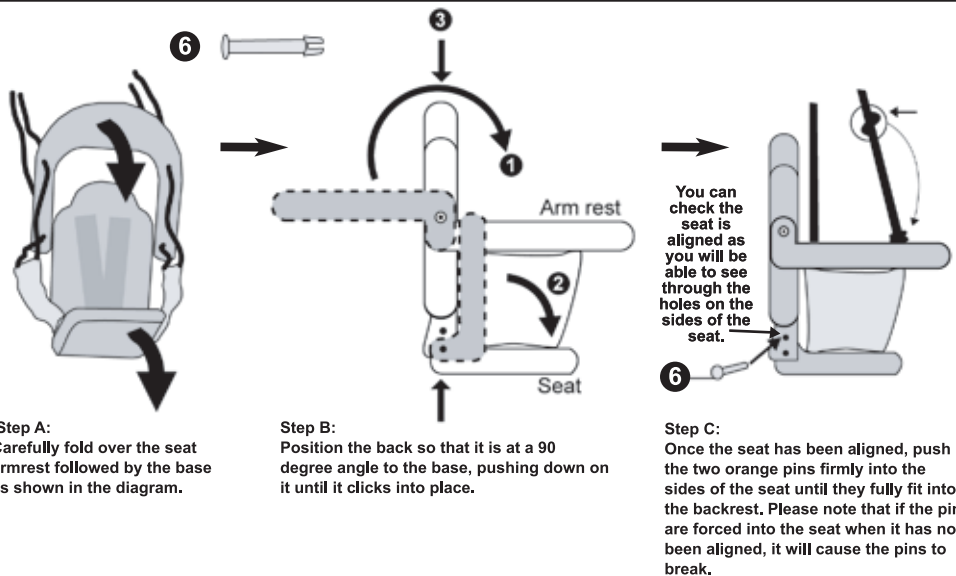
SWING PARTS LIST



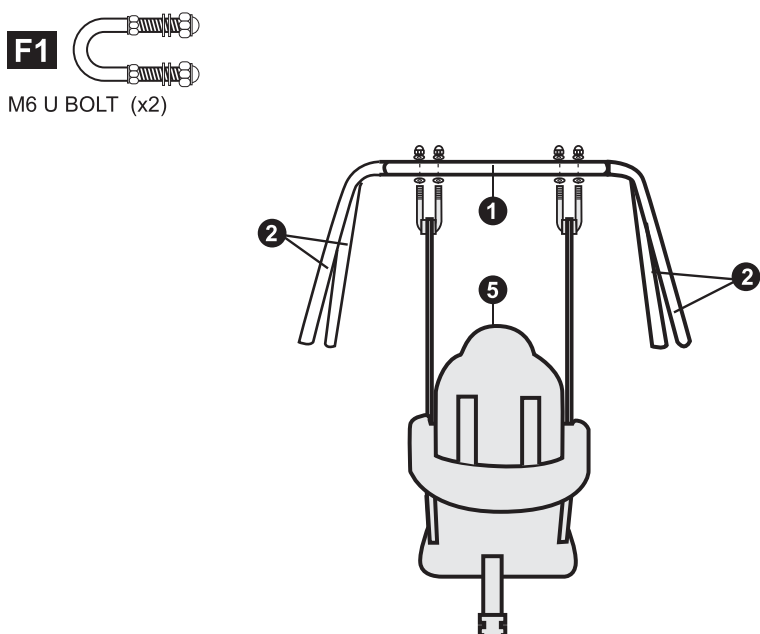
IMPORTANT: Make sure you read the safety notice on the front page and always supervise children while they are playing on the equipment. Once assembly is completed carefully check equipment. In the unlikely event that you do find any problems, please contact us. Do not allow children to use this product until the problem has been corrected.

11/2021- ISSUE 1

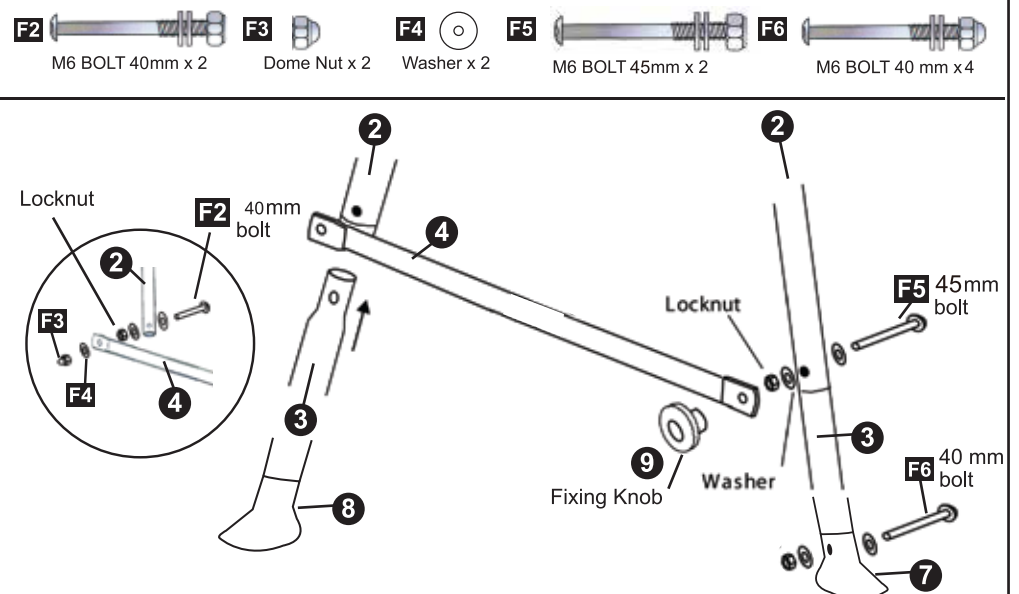
STEP 1 Seat Assembly



STEP 2 Frame & Swing Assembly

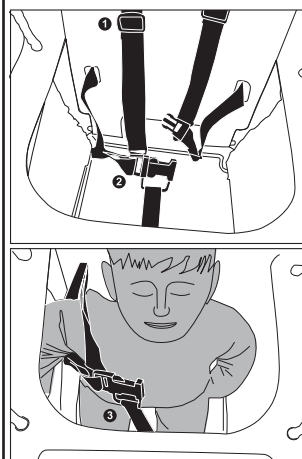


STEP 3 Frame Assembly

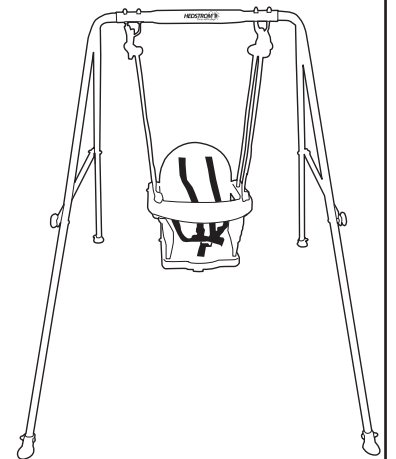


STEP 4 Seat Belt Assembly

PLACING YOUR CHILD INTO THE SWING SAFELY



1. Firstly please loosen the harness
2. Next buckle one side of the harness
3. Then place your child into the swing with their legs through the crotch strap (this will prevent them from sliding out)
4. Next buckle the other side of the harness
5. Finally adjust and tighten the harness.



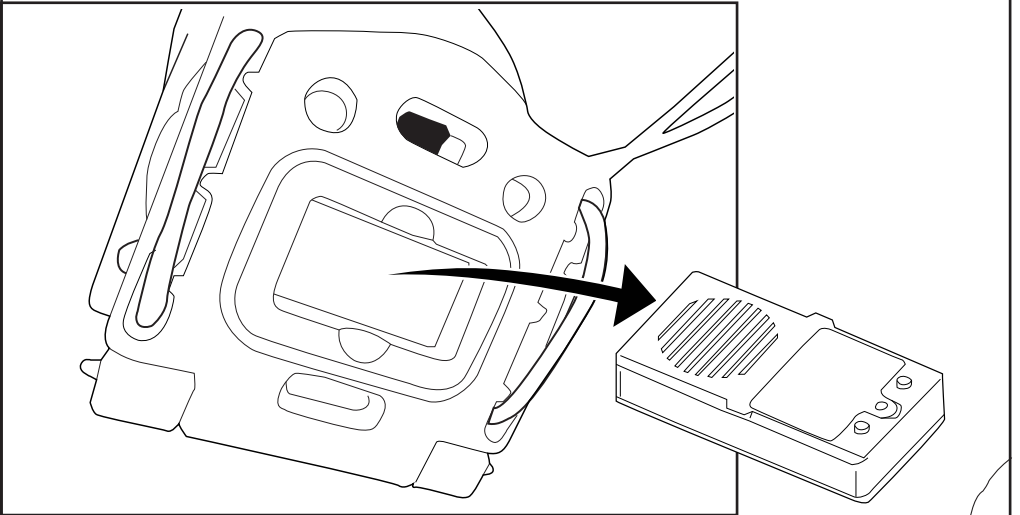
MV Sports & Leisure Ltd.
 35 Tameside Drive
 Castle Bromwich
 Birmingham B35 7AG
 United Kingdom
 email: info@mvsports.com
www.mvsports.com

CUSTOMER SERVICES
 MV has taken great care to ensure that this toy has reached you in good condition. Should you have a query, please contact: customer.services@mvsports.com where your query will be dealt with promptly. Alternatively, you can call on 0121 748 8017.



MUSICAL BOX ASSEMBLY

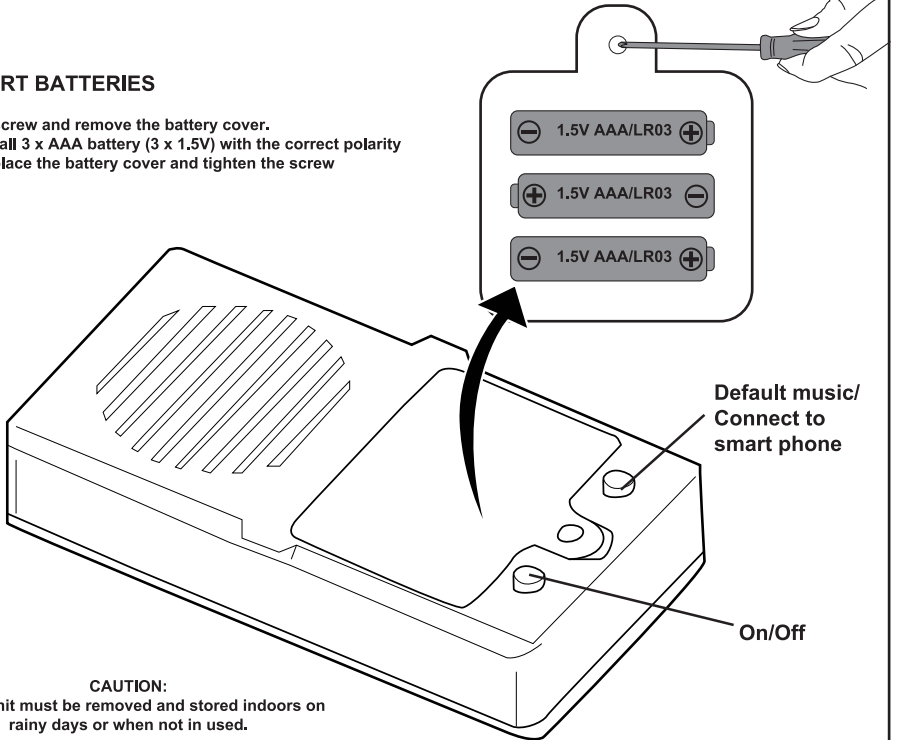
THE MUSICAL BOX COMPARTMENT IS LOCATED AT THE BOTTOM OF THE SEAT



INSTRUCTION FOR INSTALLING AND REPLACING THE BATTERIES

INSERT BATTERIES

- A. Unscrew and remove the battery cover.
- B. Install 3 x AAA battery (3 x 1.5V) with the correct polarity
- C. Replace the battery cover and tighten the screw



CAUTION:
Sound unit must be removed and stored indoors on rainy days or when not in used.