


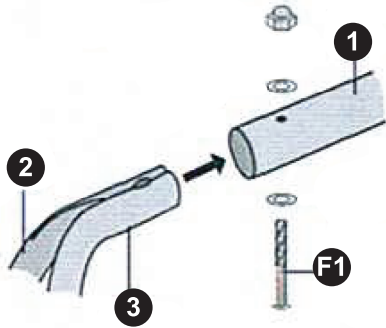
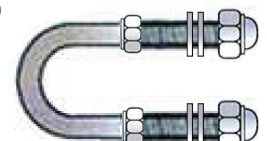
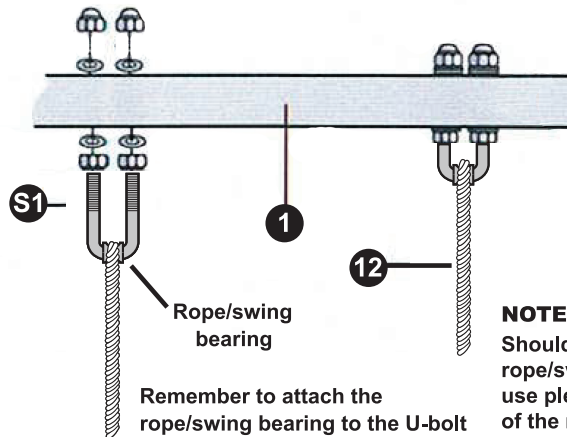


**STEP 1**  
Frame & Swing Assembly

- F1**  M8 BOLT 53mm (x2)
- 14**  ALLEN KEY
- 13**  SPANNER



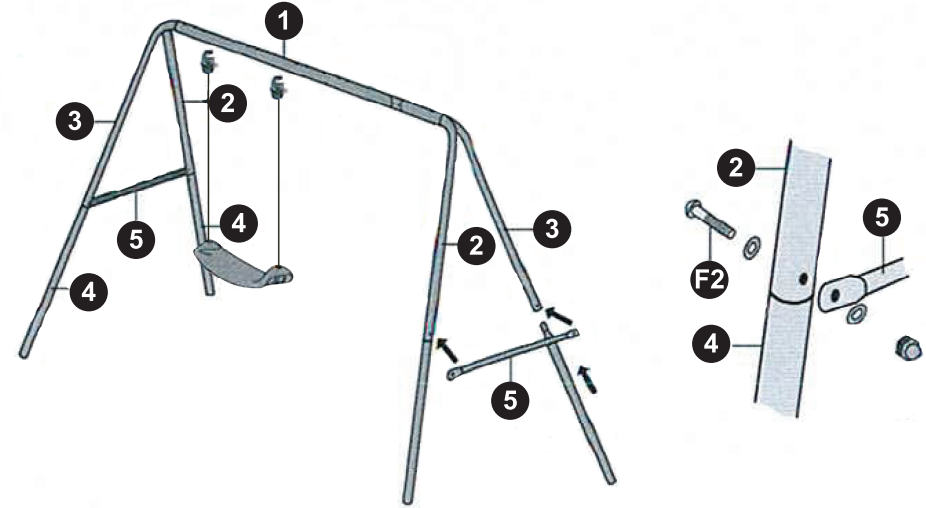
- S1**  M8 U BOLT (x2)






Remember to attach the rope/swing bearing to the U-bolt

**NOTE:** Should the rope come off the rope/swing bearing during use please replace back on top of the rope/swing bearing.

- F2**  M6 BOLT 45mm (x4)



**STEP 2**  
Glider Assembly

- G1**  M6 BOLT 42mm (x2)
- G2**  M8 BOLT 39mm (x2)
- G8**  THIN PLASTIC SPACER (x4)

