

Folding Toddler Swing - M08651-01

SAFETY GUIDELINES

Warnings

For Children 6-36 months. 20kg maximum

Only for domestic use. This product has not been designed for commercial use in play centers, nurseries etc.

Suitable for indoor and outdoor use.

Only one child per seat at any one time.

This equipment must be assembled and checked by an adult. Two adults may be required to assemble this product. Adult supervision is required at all times.

Always fasten the harness when the child is seated.

Before use please check all bolts are tight, secure and intact.

Check all coverings for bolts and sharp edges and replace when required.

Check swing seats, chain, ropes and other means of attachments if relevant to your product for evidence of deterioration. Replace when required in accordance with the manufacturers instructions if necessary.

Place the product on level surface at least 2 metres from any structure or obstruction such as a fence, garage, house, wall, overhanging branches, laundry line or electrical wires.

DO NOT install the product over concrete, asphalt or any hard surface.

DO NOT orientate the product directly towards the sun.

Leave all fittings finger tight until assembly is complete, for ease of construction. Then tighten firmly.

Children should not wear cycle helmets whilst on this equipment.

Do not allow children to stand on any swing seats, glider seats or slide chutes relevant to your product.

Do not allow the children to jump or climb off any moving equipment.

Do not twist swing ropes or wrap them over the top bar.

Do not allow loose, hooded or baggy clothes to be worn as children can get trapped and may be unable to free themselves.

Do not allow children to climb on parts of this equipment not intended for this purpose.

Do not allow children to wander into the play area whilst the equipment is in use.

Gliders and swings must not exceed an angle of 60 degrees from the ground.

Regularly check the item for wear and damage, removing the item from use when necessary until replacement parts are fitted.

Failure to assemble and maintain this item as per instruction may cause injury to the user.

Please keep the instructions in a safe place for future reference.

The minimum clearance between the swing seat and ground level should be 200mm.

Please contact our customer services department if you have any problems.

Inspect all parts of this product every 6 months following purchase. If any parts look worn or you find any problems

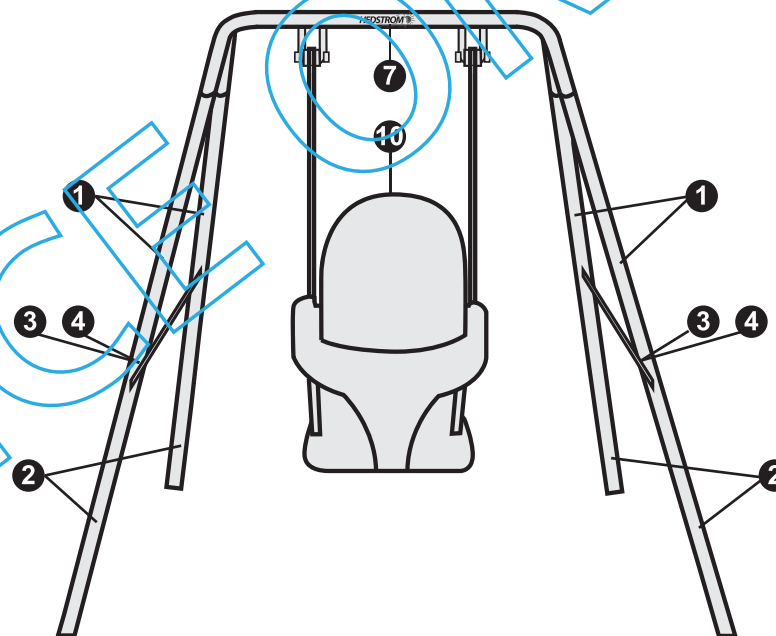
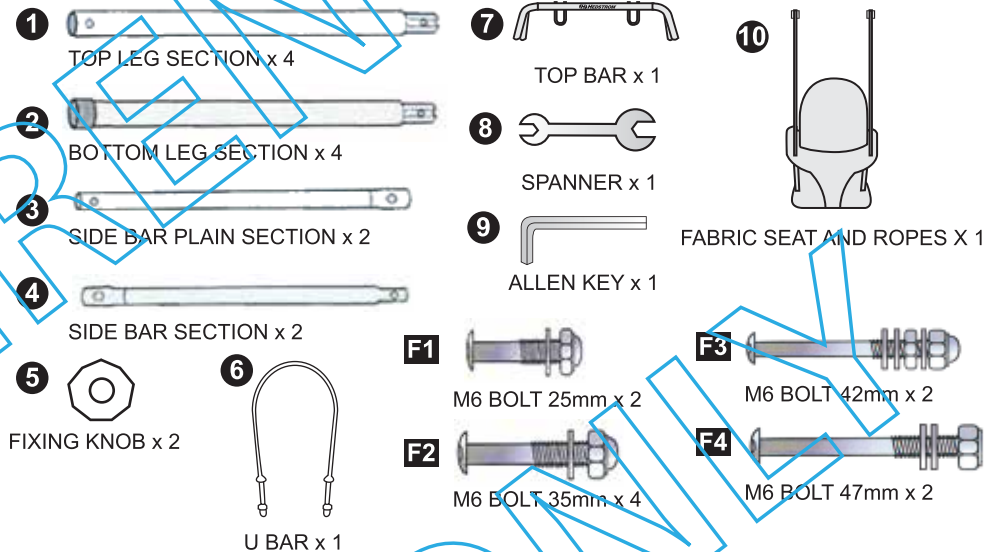
please contact us for replacements and do not use product until problem has been corrected. Hedstrom recommends replacing the plastic swing rope clamps every 2 years even if there is no sign of deterioration.

Do not modify this item

Made in China to European Standards.

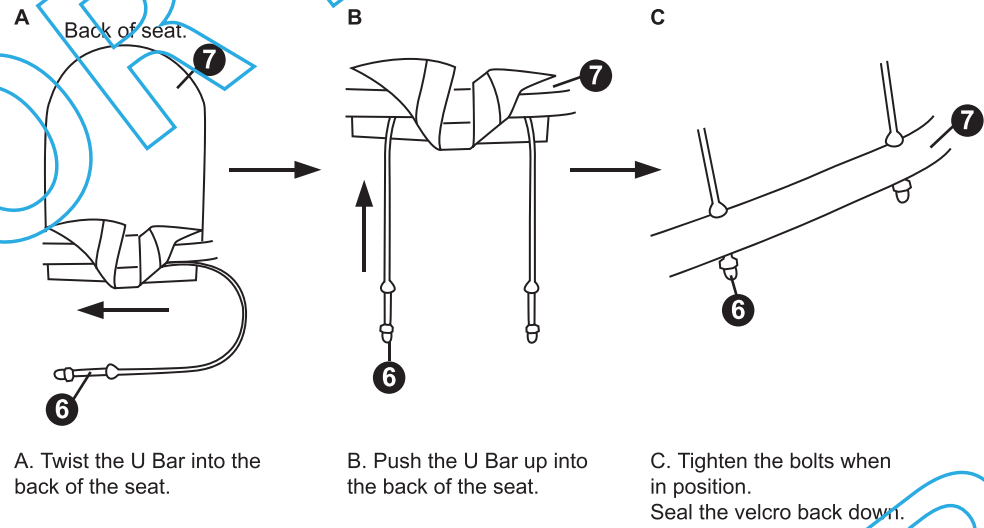
Conforms to EN71

SWING PARTS LIST

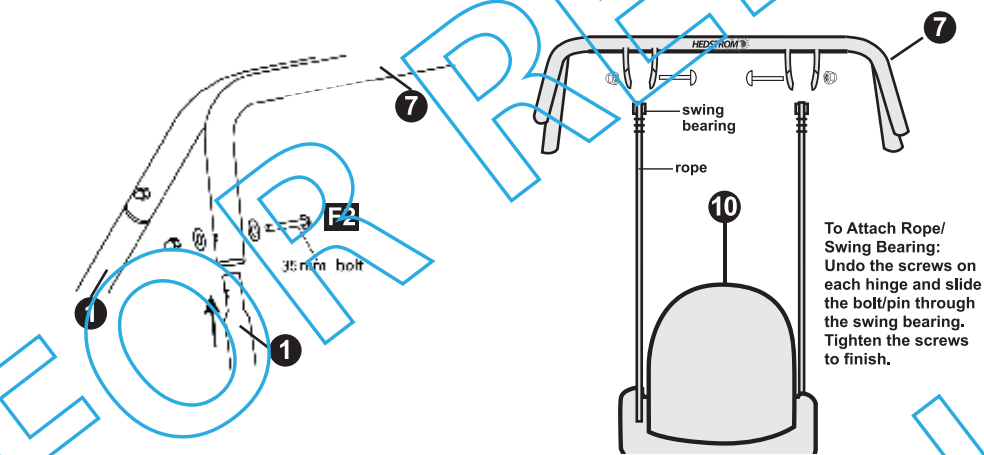


IMPORTANT: Make sure you read the safety notice on the front page and always supervise children while they are playing on the equipment. Once assembly is completed carefully check equipment. In the unlikely event that you do find any problems, please contact us. Do not allow children to use this product until the problem has been corrected.

**STEP 1
Seat Assembly**

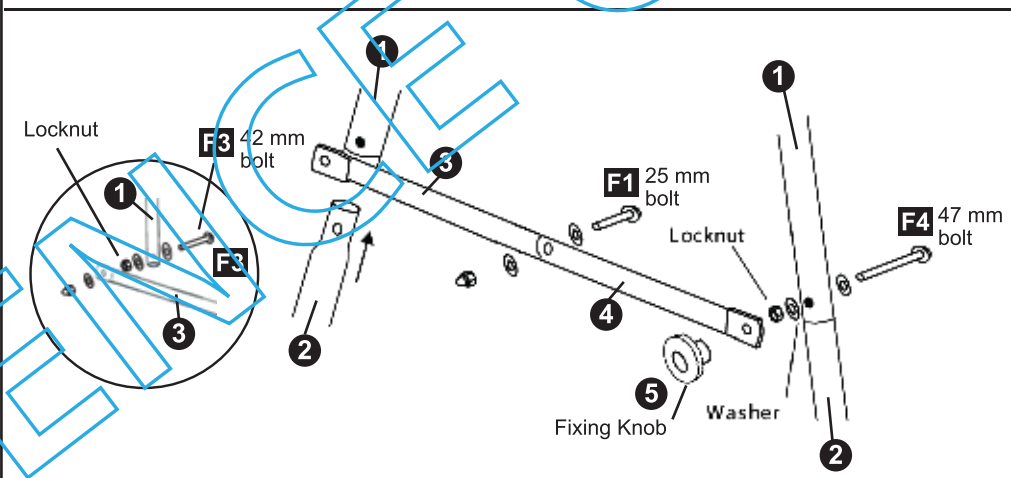
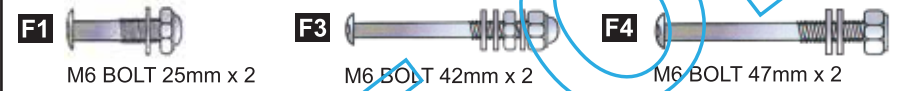


**STEP 2
Frame & Swing Assembly**



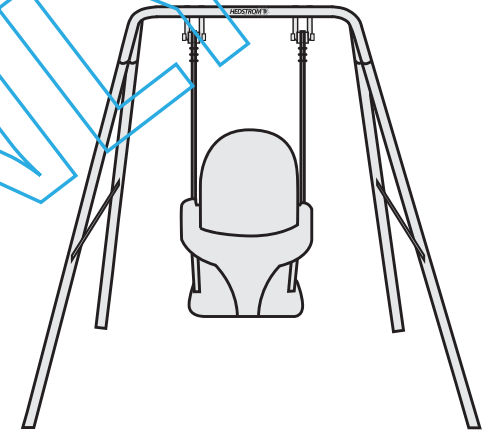
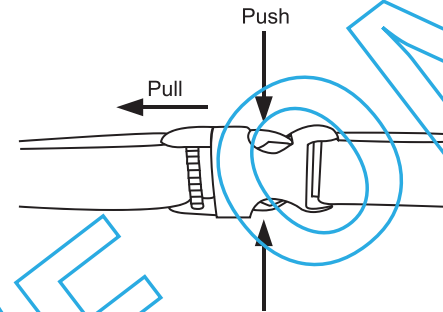
Should the rope come off during use please replace rope back on top of the swing bearing.

**STEP 3
Frame Assembly**



**STEP 4
Seat Belt Assembly**

Take Care When Seating Your Child!
The child must be secured to the seat immediately to avoid any injury.



MV Sports & Leisure Ltd.
35 Tamworth Drive
Castle Bromwich
Birmingham B35 7AG
United Kingdom
www.mvsports.com

CUSTOMER SERVICES
MV has taken great care to ensure that this item has reached you in good condition. Should you have a query, please contact customer.services@mvsports.com where your query will be dealt with promptly. Alternatively, you can call on 0121 748 8017.

CE
UK
CA

This mark denotes compliance with the standards laid down by the E.C. (European Community). It is in your best interest to keep a note of our name and address for future reference. If you have any complaints or find this product to be faulty, in order to avoid any delay, please contact the distributor at the address shown below.

Vulcan Consulting
EU Authorised Representative, The Merrion
Buildings - Iconic offices, 18-20 Merrion
Street, Dublin 2, D02 XH98, Ireland.