

2 IN 1 SWING - M08656-02

TODDLERS SWING CHILDREN 6-36 MONTHS. 20KG MAXIMUM.
JUNIOR SWING FOR CHILDREN 3-10 YEARS. 45KG MAXIMUM.

Warnings

Only for domestic use. This product has not been designed for commercial use in play centers, nurseries etc.

Only suitable for outdoor use.

This item is not designed for adult or for children weight more than 45kg.

The baby seat is designed for baby with a body weight no more than 20kg.

Only one child per seat at any one time.

The flat swing seat does not have a back or seat belt. It is not suitable for children under 3 years as they may not be able to balance themselves. For children under 3 years, please use the baby swing seat.

This equipment must be assembled and checked by an adult. Two adults may be required to assemble this product. Adult supervision is required at all times.

Before use please check all bolts are tight, secure and intact.

Check all coverings for bolts and sharp edges and replace when required.

Check swing seats, chain, ropes and other means of attachments relevant to your product for evidence of deterioration. Replace when required in accordance with the manufacturers instructions if necessary.

Place the product on level surface at least 2 metres from any structure or obstruction such as a fence, garage, house, wall, overhanging branches, laundry line or electrical wires.

The items MUST be anchored firmly into the ground.

DO NOT install the product over concrete, asphalt or any hard surface.

DO NOT orientate the product directly towards the sun.

Leave all fittings finger tight until assembly is complete, for ease of construction. Then tighten firmly.

Children should not wear cycle helmets whilst on this equipment.

Do not allow children to stand on any swing seats, glider seats or slide chutes relevant to your product.

Do not allow the children to jump or climb off any moving equipment.

Do not twist swing ropes or wrap them over the top bar.

Do not allow loose, hooded or baggy clothes to be worn as children can get trapped and may be unable to free themselves.

Do not allow children to climb on parts of this equipment not intended for this purpose.

Do not allow children to wander into the play area whilst the equipment is in use.

Glidors and swings must not exceed an angle of 60 degrees from the ground.

Regularly check the item for wear and damage, removing the item from use when necessary until replacement parts are fitted.

Failure to assemble and maintain this item as per instruction may cause injury to the user.

Please keep the instructions in a safe place for future reference.

The minimum clearance between the junior swing seat and ground level should be 350mm,

the baby seat and ground should be 200mm.

Please contact our customer services department if you have any problems.

Inspect all parts of this product every 6 months following purchase. If any parts look worn or you find any problems, please contact us for replacements and do not use product until problem has been corrected. Hedstrom recommends replacing the plastic swing rope clamps every 2 years even if there is no sign of deterioration.

Do not modify this item

Conforms to EN71

Made in China to European Standards

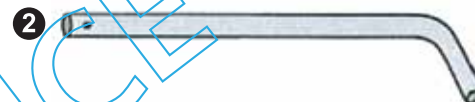
SWING PARTS LIST



1 CENTRE BAR (x1)



7 GROUND PEG (x4)



2 "LEFT-HAND" TYPE TOP LEG (x2)



8 SPANNER (x1)



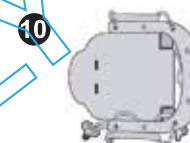
3 "RIGHT-HAND" TYPE TOP LEG (x2)



9 ALLEN KEY (x1)



4 BOTTOM LEG (x8)



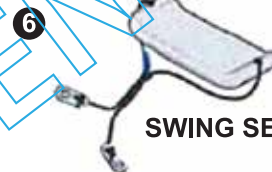
10 BABY SWING SEAT (x1)



5 SIDE STAY BAR (x2)



11 PLASTIC PIN (x2)

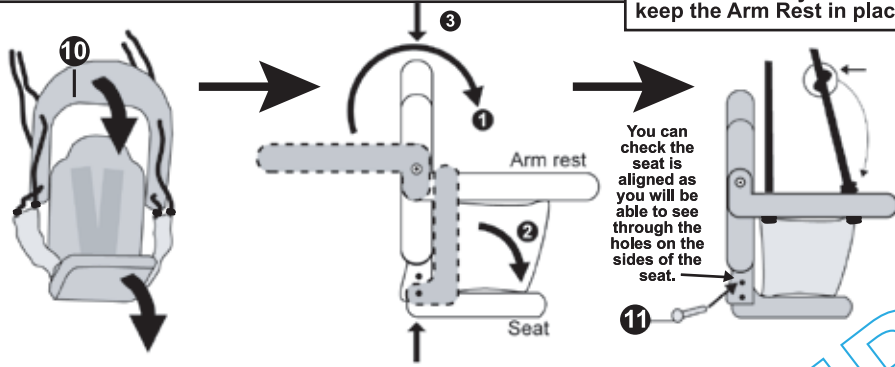


6 SWING SEAT (x1)

ASSEMBLY INSTRUCTION FOR TODDLER SWING
TODDLER SWING FOR CHILDREN 6 MONTHS TO 36 MONTHS
PLEASE RETAIN UNUSED SWING COMPONENTS FOR ASSEMBLY OF JUNIOR SWING
STEP 1 Frame & Swing Seat Assembly

11  **PLASTIC PIN (X2)**

PLEASE NOTE: Do not untie the knots as they are there to keep the Arm Rest in place



Step A: Carefully fold over the seat armrest followed by the base as shown in the diagram.

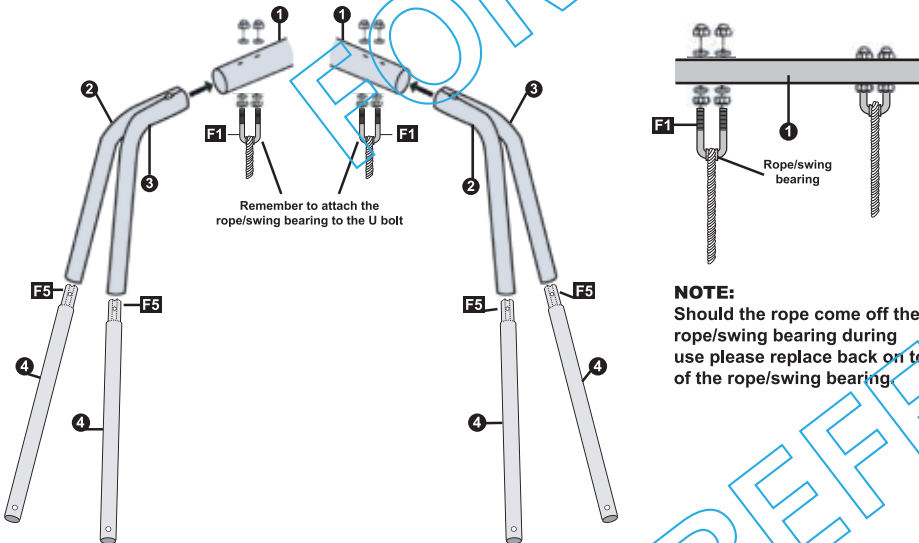
Step B: Position the back so that it is at a 90 degree angle to the base, pushing down on it until it clicks into place. You can check the seat is aligned as you will be able to see through the holes on the side of the seat.

Step C: Once the seat has been aligned, push the two orange pins firmly into the sides of the seat until they fully fit into the backrest. Please note that if the pins are forced into the seat when it has not been aligned, it will cause the pins to break.

STEP 2 Frame & Swing Assembly

F1  **M8 U BOLT (x2)**

F5  **M6 BOLT 35mm (x4)**



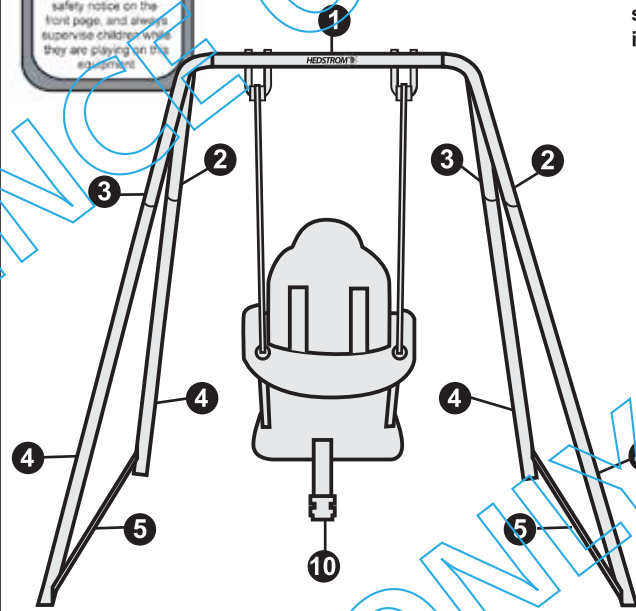
NOTE: Should the rope come off the rope/swing bearing during use please replace back on top of the rope/swing bearing

STEP 3 ANCHORING SWING TO GROUND

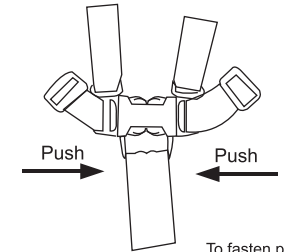
F4  **M6 BOLT 58mm (X4)**

IMPORTANT
 Make sure you read the safety notice on the front page, and always supervise children when they are playing on the swing.

Take care when seating your child. The child must be secured to the seat by fastening the seat belt immediately to avoid any injury.

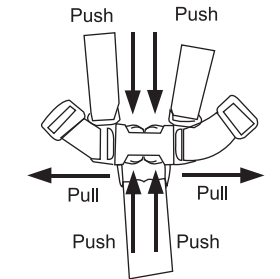


To Close Harness



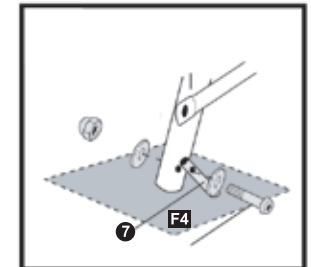
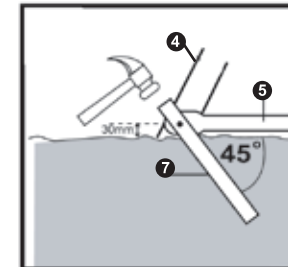
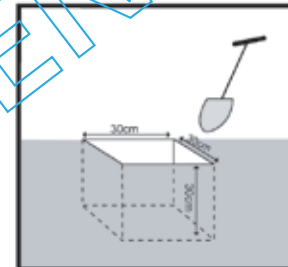
To fasten push left and right hand side clips into the harness until they click into place.

To Open Harness



Note: If the soil is hard enough, it may not be necessary to concrete the ground pegs of the baby swing. If the pegs are concreted, additional ground pegs (not provided) will be required for the single swing.

Note: Additional ground pegs can be requested from MV customer services.



ASSEMBLY INSTRUCTION FOR JUNIOR SWING

JUNIOR SWING: FOR CHILDREN 3 -10 YEARS

STEP 1 Frame & Swing Seat Assembly

F1

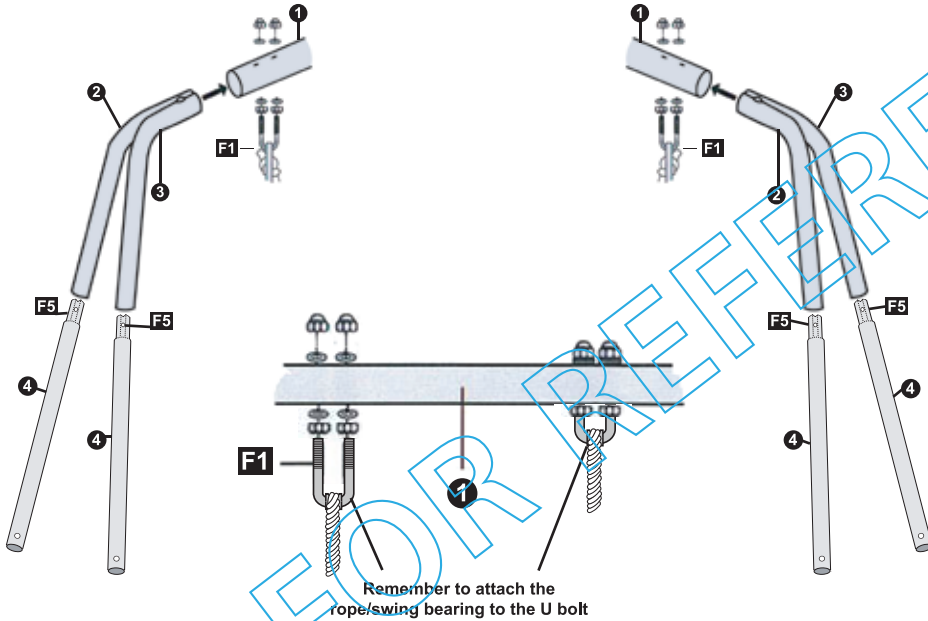


M8 U-BOLT (X2)

F5



M6 BOLT 35mm (x4)



STEP 2

Frame & Swing Assembly

F2

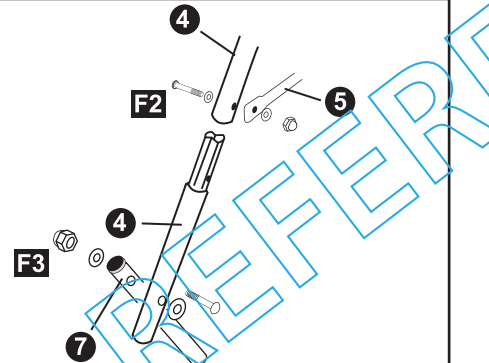


M6 BOLT 42mm (x4)

F3



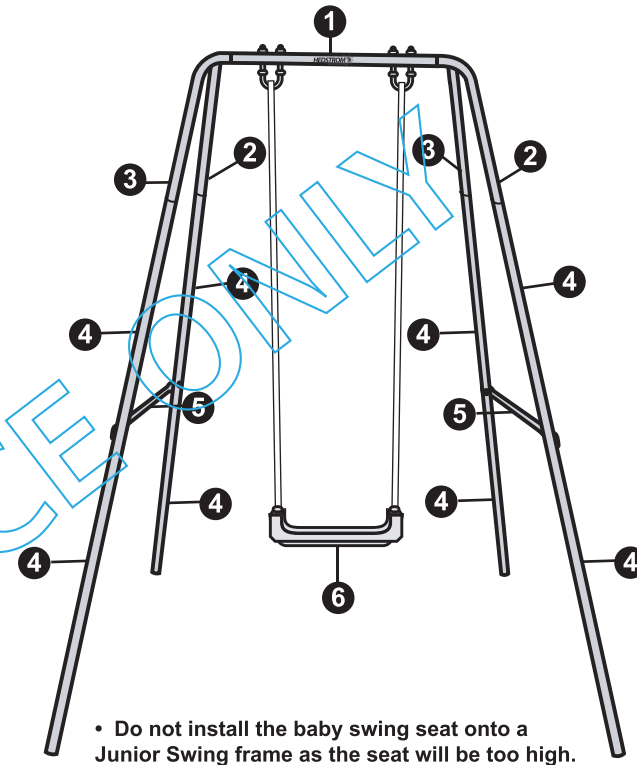
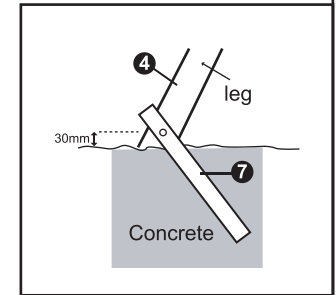
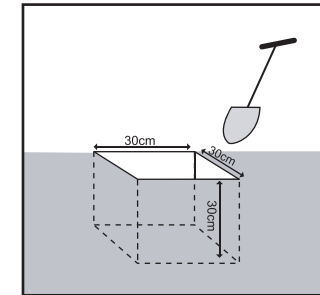
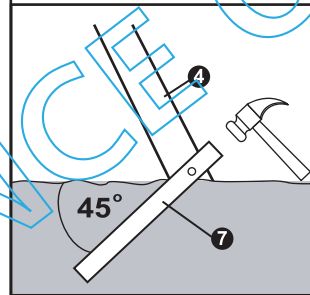
M6 BOLT 52mm (x4)



STEP 3

Anchoring the swing to the ground

IMPORTANT: For safety reasons this swing **MUST** be anchored into the ground. We recommend that it is concreted in. If you are uncertain about this procedure, telephone our helpline number.



MV Sports & Leisure Ltd.
35 Tameside Drive
Castle Bromwich
Birmingham B35 7AG
United Kingdom

www.mvsports.com

CUSTOMER SERVICES

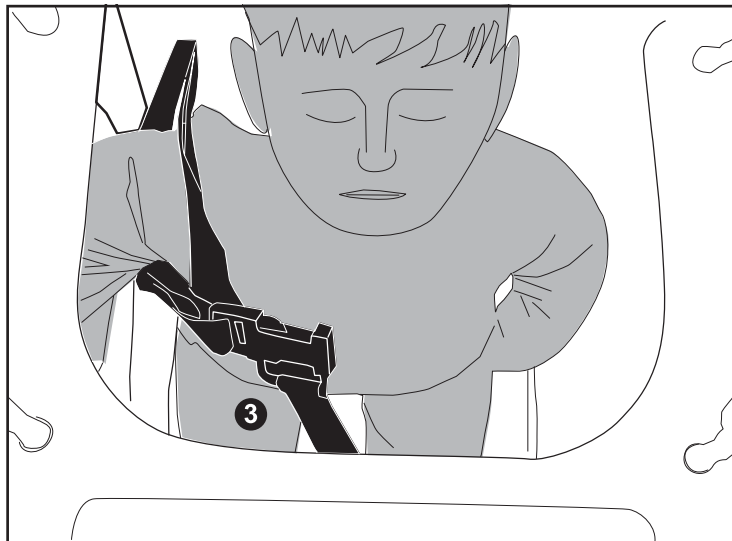
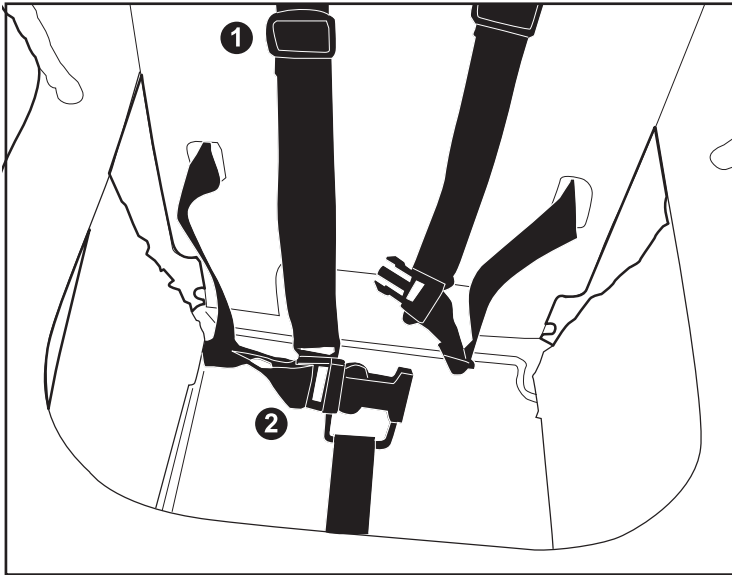
MV has taken great care to ensure that this toy has reached you in good condition. Should you have a query, please contact: customer.services@mvsports.com where your query will be dealt with promptly. Alternatively, you can call on 0121 748 8017.



This mark denotes compliance with the standards laid down by the E.C. (European Community). It is in your best interest to keep a note of our name and address for future reference. If you have any complaints or find this product to be faulty, in order to avoid any delay, please contact the distributor at the address shown below.

Vulcan Consulting
EU Authorised Representative, The Merriam
Buildings - Iconic offices, 18-20 Merriam
Street, Dublin 2, D02 XH98, Ireland.

PLACING YOUR CHILD INTO THE SWING SAFELY



1. Firstly please loosen the harness
2. Next buckle one side of the harness
3. Then place your child into the swing with their legs through the crotch strap (this will prevent them from sliding out)
4. Next buckle the other side of the harness
5. Finally adjust and tighten the harness.