

WAVY SLIDE - M08684-01
FOR CHILDREN AGED 3 TO 10 YEARS

SAFETY GUIDELINES

Warnings

Only for domestic use. This product has not been designed for commercial use in play centers, nurseries etc.

Only suitable for outdoor use.

Not for children with a body weight over 45kg. Only one child per seat at any one time.

Not for children under 3 years due to small component which may cause choking hazard.

This equipment must be assembled and checked by an adult. Two adults may be required to assemble this product. Adult supervision is required at all times.

Check all nuts, bolts and fittings for tightness and tighten if required.

Check all coverings for bolts and sharp edges and replace when required.

Check steps and slide for evidence of deterioration. Replace when required in accordance with the manufacturers instructions if necessary.

Place the product on level surface at least 2 metres from any structure or obstruction such as a fence, garage, house, wall, overhanging branches, laundry line or electrical wires.

DO NOT install the product over concrete, asphalt or any hard surface.

DO NOT orientate the product directly towards the sun.

Leave all fittings finger tight until assembly is complete, for ease of construction. Then tighten firmly.

Children should not wear cycle helmets whilst on this equipment.

Do not allow the children to get off the slide whilst in use.

Do not allow loose, hooded or baggy clothes to be worn as children can get trapped and may be unable to free themselves.

Do not allow children to climb on parts of this equipment not intended for this purpose.

Do not allow children to wander into the play area whilst the equipment is in use.

Do not allow children to slide head first down the chute, walk up the chute or jump or climb off the chute.

Regularly check the item for wear and damage, removing the item from use when necessary until replacement parts are fitted.

Failure to assemble and maintain this item as per instruction may cause injury to the user.

Do not modify this item.

Please keep the instructions in a safe place for future reference.

Conforms to EN71

Made in China to European Standards.

MV Sports & Leisure Ltd.
35 Tameside Drive
Castle Bromwich
Birmingham B35 7AG
United Kingdom
email: info@mvsports.com
www.mvsports.com

CUSTOMER SERVICES
MV has taken great care to ensure that this item has reached you in good condition. Should you have a query, please contact customer.services@mvsports.com where your query will be dealt with promptly. Alternatively, you can call on 0121 748 8017.



This mark denotes compliance with the standards listed below by the CE (European Conformity). It is in your best interest to keep a copy of our terms and conditions to hand whenever you buy any products from MV Sports & Leisure Ltd. For more information on our products and services, please contact us on 0121 748 8017.

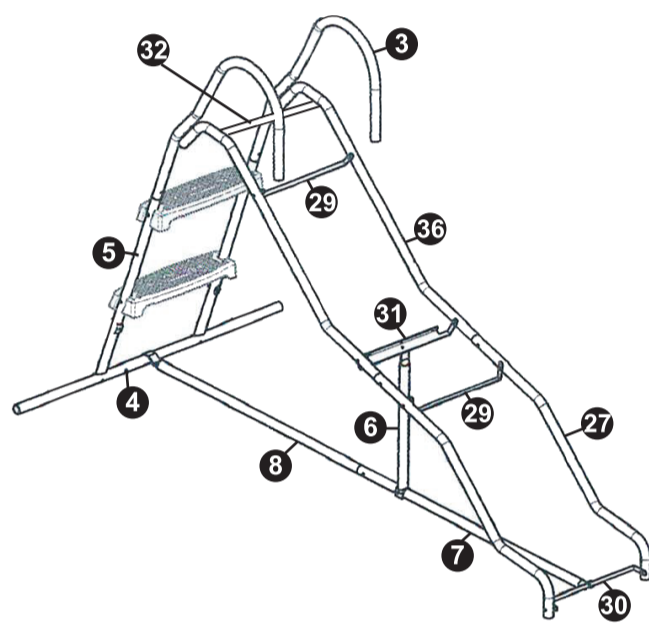
Valiron Consulting
EU Authorised Representative, The Motion
Building, Broomfield, 10-20 Heron
Street, Dublin 2, D02 2R06, Ireland.

SLIDE PARTS LIST

- | | |
|---------------------------------------|--------------------------------|
| 36
UPPER SUPPORT TUBE x 2 | 12
UPPER SLIDE x 1 |
| 27
LOWER SUPPORT TUBE x 2 | 13
LOWER SLIDE x 1 |
| 3
HANDLE x 2 | 14
STEP x 2 |
| 4
STABILISER BAR x 1 | 34
CONNECTOR x 4 |
| 5
LADDER TUBE x 2 | 16
SPANNER x 1 |
| 6
VERTICAL SUPPORT TUBE x 1 | 17
ALLEN KEY x 1 |
| 7
FRONT TIE BAR x 1 | 32
SUPPORT STRAP x 1 |
| 8
REAR TIE BAR x 1 | |
| 29
SUPPORT STRAP x 2 | |
| 30
SUPPORT STRAP x 1 | |
| 31
SUPPORT STRAP x 1 | |

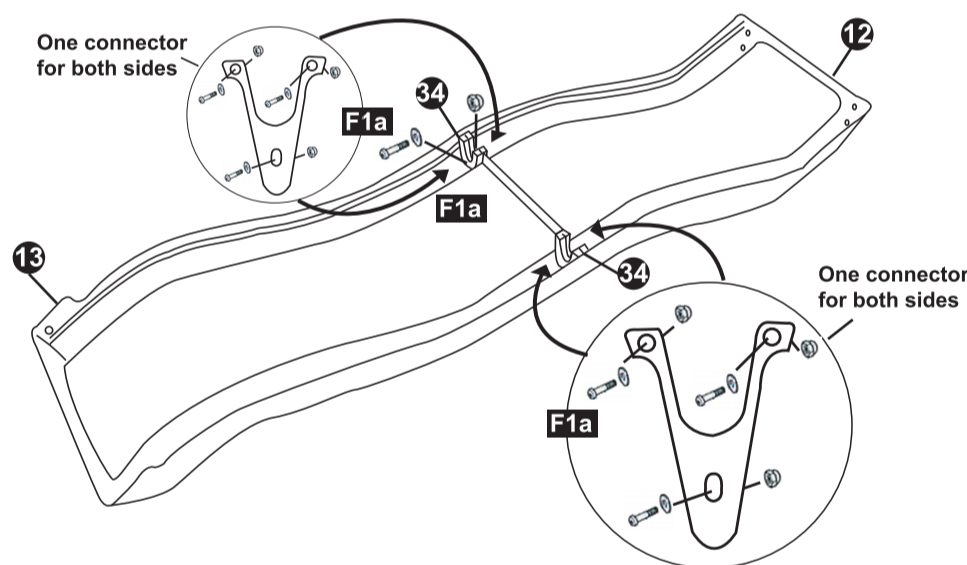
IMPORTANT: Make sure you read the safety notice on the front page and always supervise children while they are playing on the equipment. Once assembly is completed carefully check equipment. In the unlikely event that you do find any problems, please contact us. Do not allow children to use this product until the problem has been corrected.

11/2021 ISSUE 2



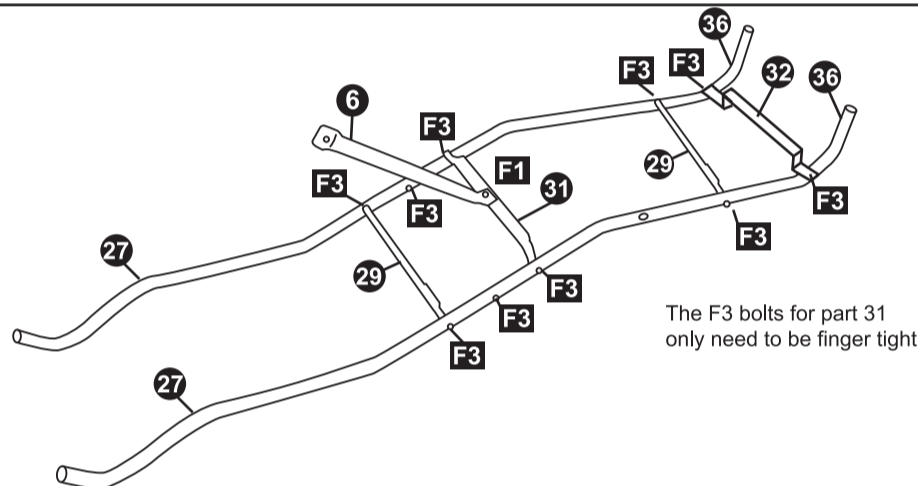
STEP 1
Slide Chute Assembly

- F1a** M6 BOLT 20mm x 6 **CONNECTOR** x 4



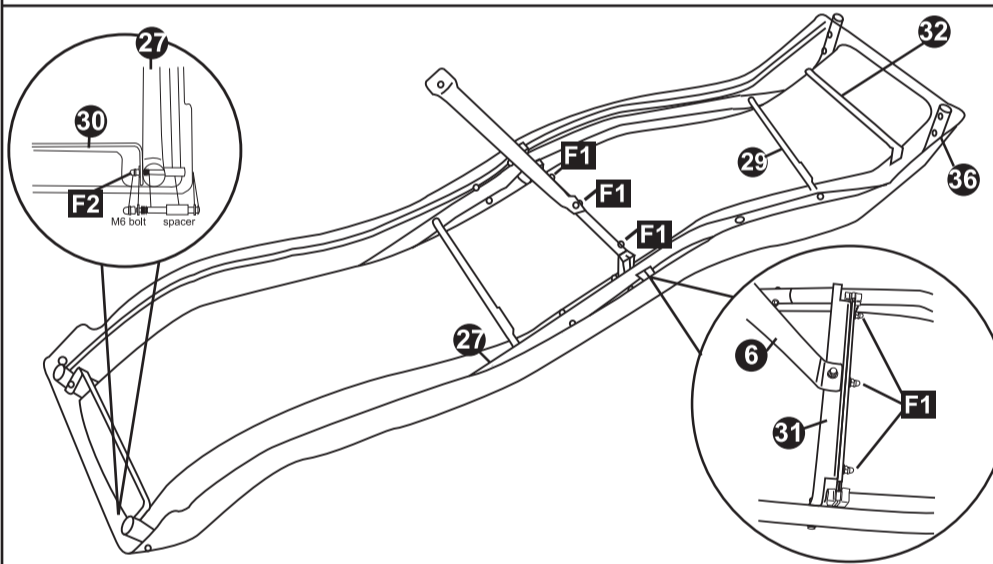
STEP 2
Bracket Assembly

- F1** M6 BOLT 17mm x 1 **F3** M6 BOLT 35mm x 10



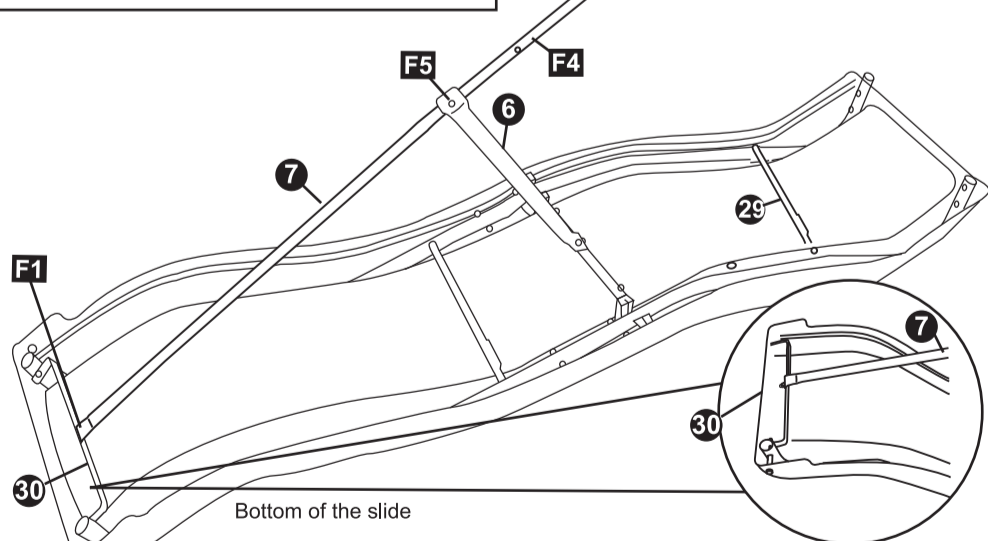
STEP 3
Assembly Of The Bracket Onto The Slide

- F1** M6 BOLT 17mm x 3 **F2** M6 BOLT 66mm x 2



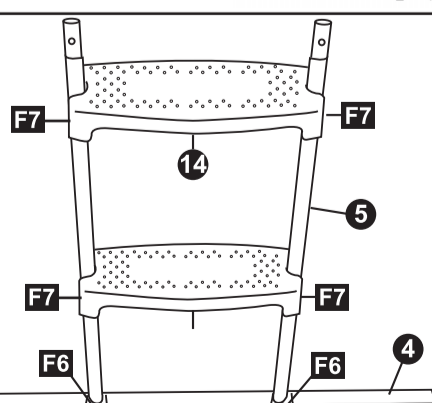
STEP 4
Tie Bar Assembly

- F1** M6 BOLT 17mm x 1 **F4** M6 BOLT 25mm x 1
F5 M6 BOLT 30mm x 1



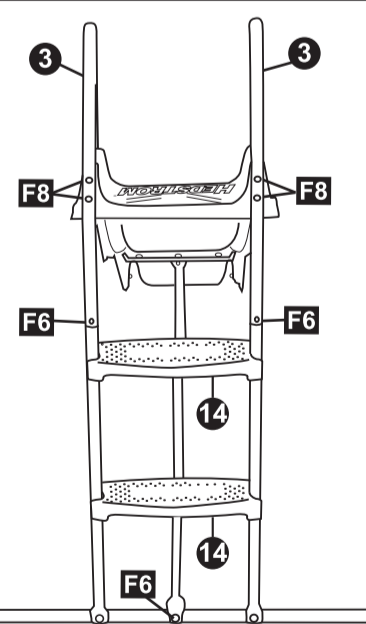
STEP 5
Ladder Assembly

- F6** M6 BOLT 35mm x 2 **F7** M6 BOLT 38mm x 4



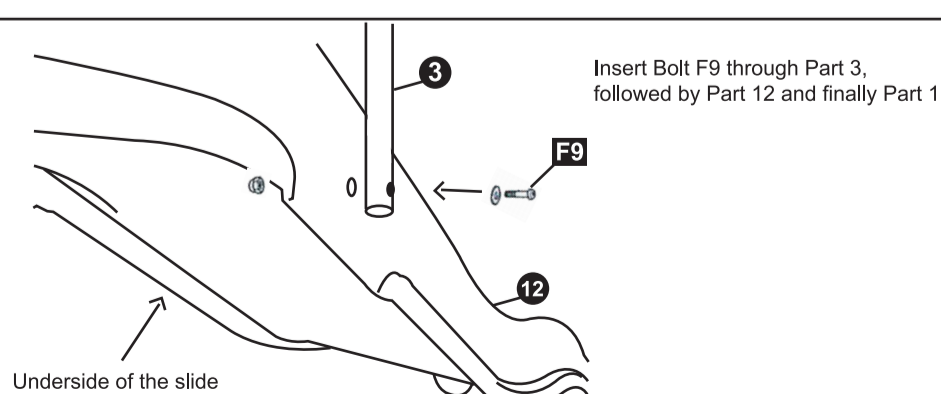
STEP 6
Assembling The Ladder To The Slide

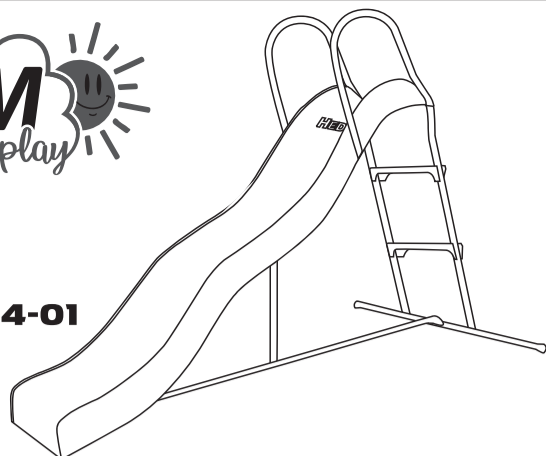
- F6** M6 BOLT 35mm x 3 **F8** M6 BOLT 63mm x 4



STEP 7
Assembly of the slide

- F9** M6 BOLT 60mm x 2





WAVY SLIDE - M08684-01
FOR CHILDREN AGED 3 TO 10 YEARS

SAFETY GUIDELINES

Warnings

Only for domestic use. This product has not been designed for commercial use in play centers, nurseries etc.

Only suitable for outdoor use.

Not for children with a body weight over 45kg. Only one child per seat at any one time.

Not for children under 3 years due to small component which may cause choking hazard.

This equipment must be assembled and checked by an adult. Two adults may be required to assemble this product. Adult supervision is required at all times.

Check all nuts, bolts and fittings for tightness and tighten if required.

Check all coverings for bolts and sharp edges and replace when required.

Check steps and slide for evidence of deterioration. Replace when required in accordance with the manufacturers instructions if necessary.

Place the product on level surface at least 2 metres from any structure or obstruction such as a fence, garage, house, wall, overhanging branches, laundry line or electrical wires.

DO NOT install the product over concrete, asphalt or any hard surface.

DO NOT orientate the product directly towards the sun.

Leave all fittings finger tight until assembly is complete, for ease of construction. Then tighten firmly.

Children should not wear cycle helmets whilst on this equipment.

Do not allow the children to get off the slide whilst in use.

Do not allow loose, hooded or baggy clothes to be worn as children can get trapped and may be unable to free themselves.

Do not allow children to climb on parts of this equipment not intended for this purpose.

Do not allow children to wander into the play area whilst the equipment is in use.

Do not allow children to slide head first down the chute, walk up the chute or jump or climb off the chute.

Regularly check the item for wear and damage, removing the item from use when necessary until replacement parts are fitted.

Failure to assemble and maintain this item as per instruction may cause injury to the user.

Do not modify this item.

Please keep the instructions in a safe place for future reference.

Conforms to EN71

Made in China to European Standards.

MV Sports & Leisure Ltd.
35 Tameside Drive
Castle Bromwich
Birmingham B35 7AG
United Kingdom
email: info@mvsports.com
www.mvsports.com

CUSTOMER SERVICES
MV has taken great care to ensure that this item has reached you in good condition. Should you have a query, please contact customer.services@mvsports.com where your query will be dealt with promptly. Alternatively, you can call on 0121 748 8017.



This mark denotes compliance with the standards listed below by the CE (European Conformity) mark in your local market to keep a note of our mark and address to the manufacturer. For help and information on the CE mark, please visit the CE mark website: www.ce-mark.com

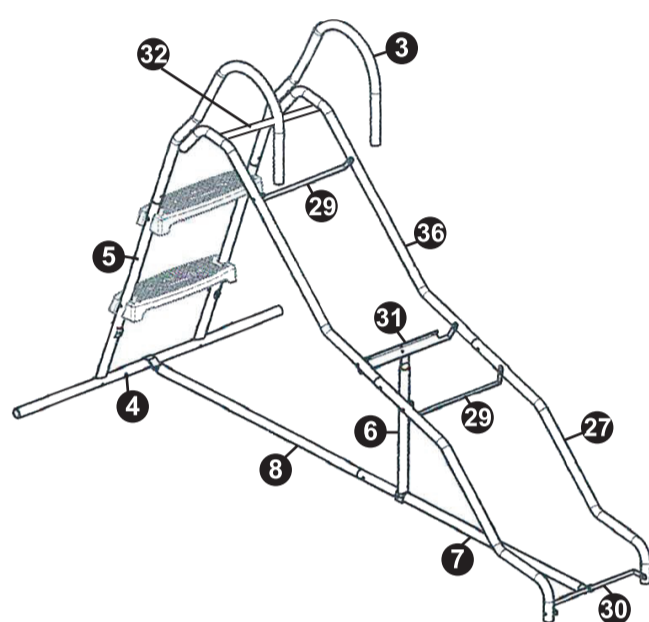
Valcon Consulting
EU Authorised Representative, The Motion
Building, Broomfield, 10-20 Heron
Street, Dublin 2, D02 2R06, Ireland.

SLIDE PARTS LIST

- | | |
|---------------------------------------|--------------------------------|
| 36
UPPER SUPPORT TUBE x 2 | 12
UPPER SLIDE x 1 |
| 27
LOWER SUPPORT TUBE x 2 | 13
LOWER SLIDE x 1 |
| 3
HANDLE x 2 | 14
STEP x 2 |
| 4
STABILISER BAR x 1 | 34
CONNECTOR x 4 |
| 5
LADDER TUBE x 2 | 16
SPANNER x 1 |
| 6
VERTICAL SUPPORT TUBE x 1 | 17
ALLEN KEY x 1 |
| 7
FRONT TIE BAR x 1 | 32
SUPPORT STRAP x 1 |
| 8
REAR TIE BAR x 1 | |
| 29
SUPPORT STRAP x 2 | |
| 30
SUPPORT STRAP x 1 | |
| 31
SUPPORT STRAP x 1 | |

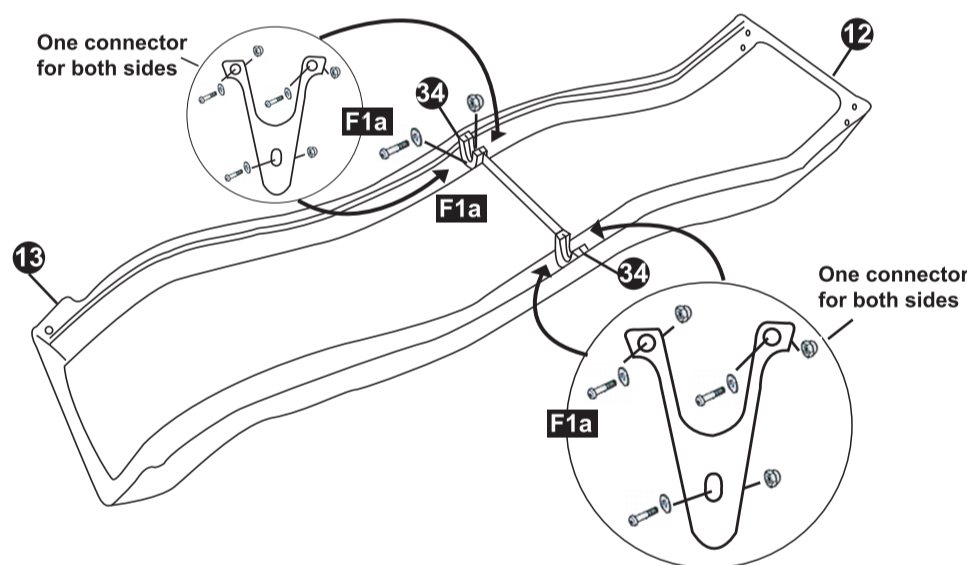
IMPORTANT: Make sure you read the safety notice on the front page and always supervise children while they are playing on the equipment. Once assembly is completed carefully check equipment. In the unlikely event that you do find any problems, please contact us. Do not allow children to use this product until the problem has been corrected.

11/2021 ISSUE 2



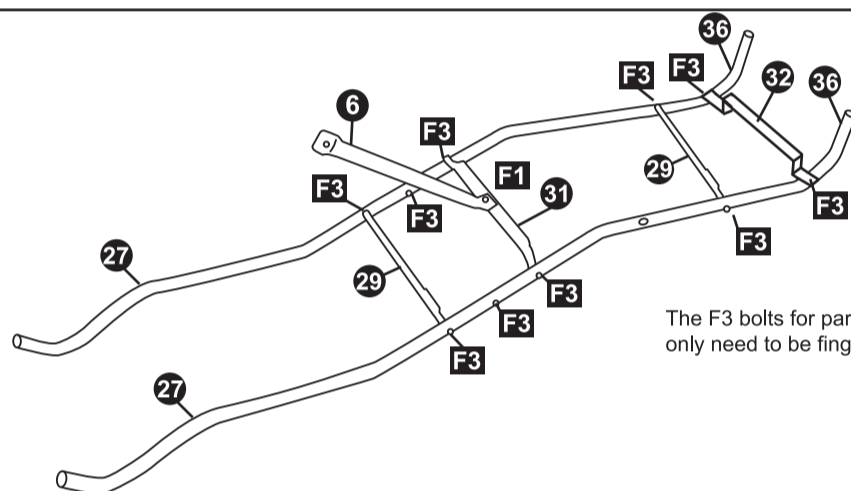
STEP 1
Slide Chute Assembly

- F1a** M6 BOLT 20mm x 6 **CONNECTOR** x 4



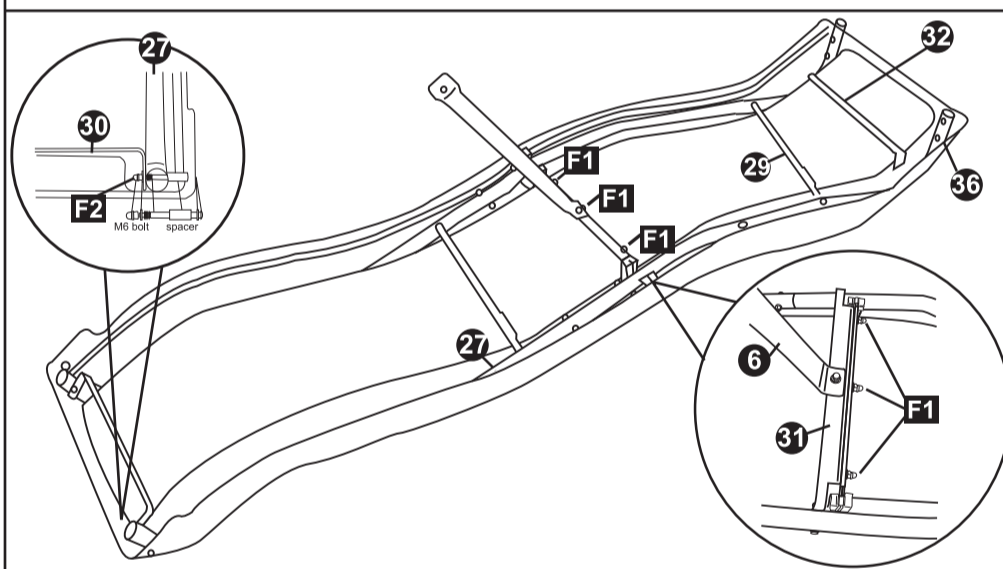
STEP 2
Bracket Assembly

- F1** M6 BOLT 17mm x 1 **F3** M6 BOLT 35mm x 10



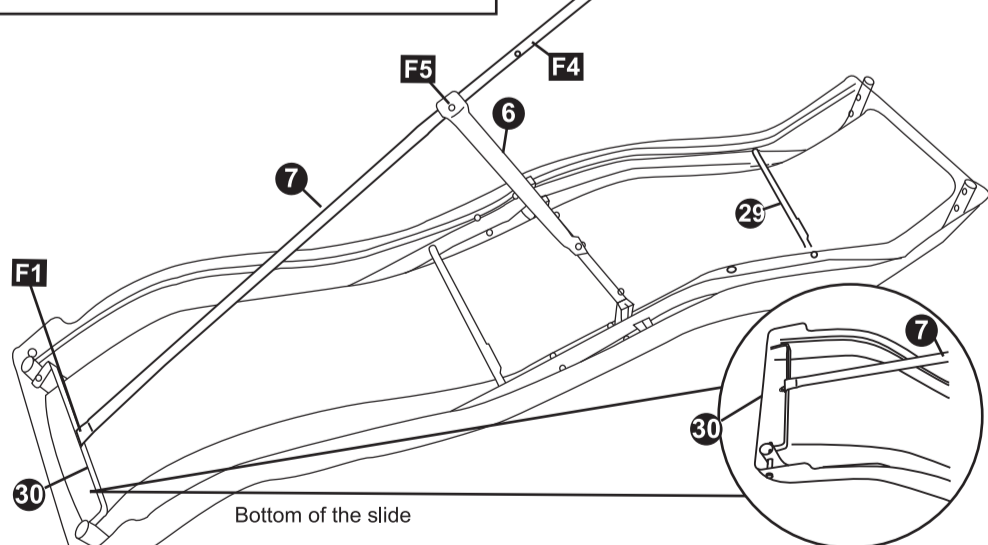
STEP 3
Assembly Of The Bracket Onto The Slide

- F1** M6 BOLT 17mm x 3 **F2** M6 BOLT 66mm x 2



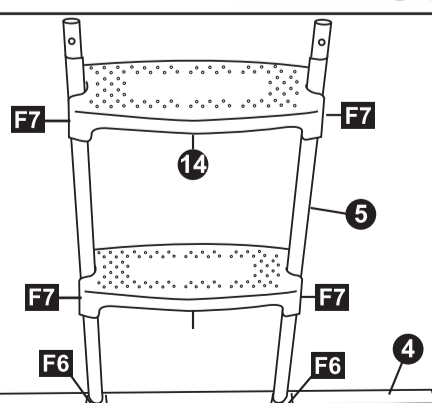
STEP 4
Tie Bar Assembly

- F1** M6 BOLT 17mm x 1 **F4** M6 BOLT 25mm x 1
F5 M6 BOLT 30mm x 1



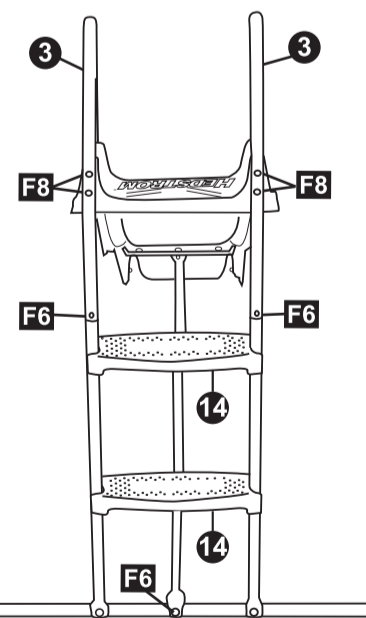
STEP 5
Ladder Assembly

- F6** M6 BOLT 35mm x 2 **F7** M6 BOLT 38mm x 4



STEP 6
Assembling The Ladder To The Slide

- F6** M6 BOLT 35mm x 3 **F8** M6 BOLT 63mm x 4



STEP 7
Assembly of the slide

- F9** M6 BOLT 60mm x 2

