

ROUNABOUT SEESAW - M08845

FOR CHILDREN AGED 3 TO 10 YEARS

SAFETY GUIDELINES

Warnings

Only for domestic use. This product has not been designed for commercial use in play centres, nurseries etc.

Only suitable for outdoor use.

Not for children with a body weight over 45kg. Only one child per seat at any one time.

Not for children under 3 years due to small components which may cause choking hazard.

Before use please check all bolts are tight, secure and intact.

This equipment must be assembled and checked by an adult. Two adults may be required to assemble this product. Adult supervision is required at all times.

Check all nuts, bolts and fittings for tightness and tighten if required.

Check all coverings for bolts and sharp edges and replace when required.

Check welding of upper and lower support tube, leg handle and seat for evidence of deterioration.

Replace when requires in accordance with the manufactures instructions if necessary.

Place the product on level surface at least 2 metres from any structure or obstruction such as a fence, garage, house, wall, overhanging branches, laundry line or electrical wires.

The item MUST be anchored firmly to the ground.

DO NOT install the product over concrete, asphalt or any other hard surface.

DO NOT orientate the product directly towards the sun.

Leave all fittings finger tight until assembly is complete, for ease of construction. Then tighten firmly.

Children should not wear cycle helmets whilst on this equipment.

Do not twist swing ropes or wrap them over the top bar.

Do not allow loose, hooded or baggy clothes to be worn as children can get trapped and may be unable to free themselves.

Do not allow children to climb on parts of this equipment not intended for this purpose.

Do not allow children to wander into the play area whilst the equipment is in use.

Regularly check the item for wear and damage, removing the item from use when necessary until replacement parts are fitted.

Failure to assemble and maintain this item as per instruction may cause injury to the user.

Please keep the instructions in a safe place for future reference.

The minimum clearance between the swing seat and ground level should be 350mm.

Please contact our customer service department if you have any problems.

Please contact us for replacements and do not use product until the problem has been corrected.

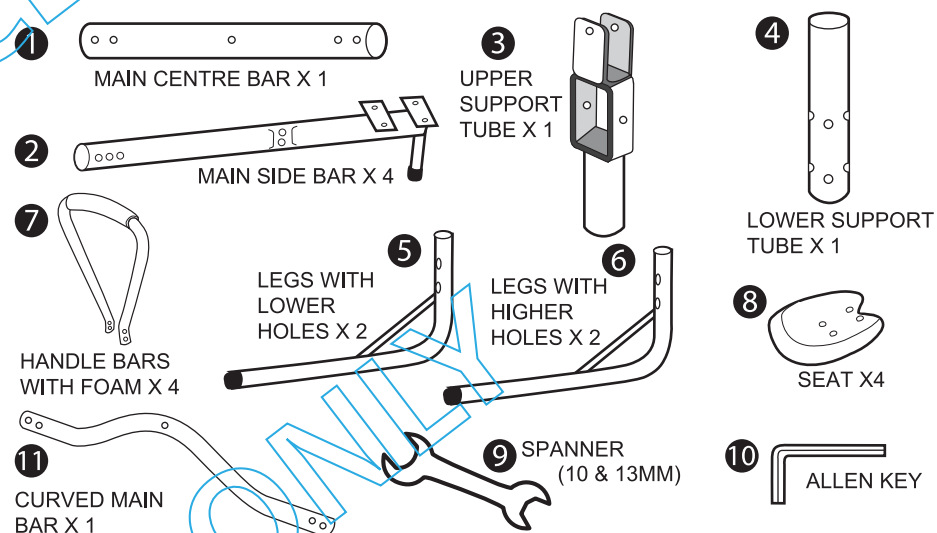
Hedstrom recommends replacing the plastic swing rope clamps every 2 years even if there is no sign of deterioration.

Do not modify this item.

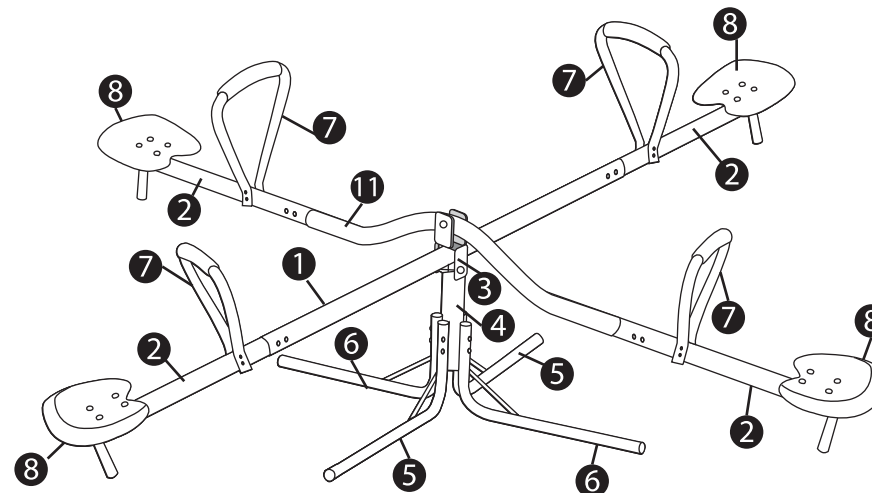
Conforms to EN71

Made in China to European standards.

SEESAW PARTS LIST



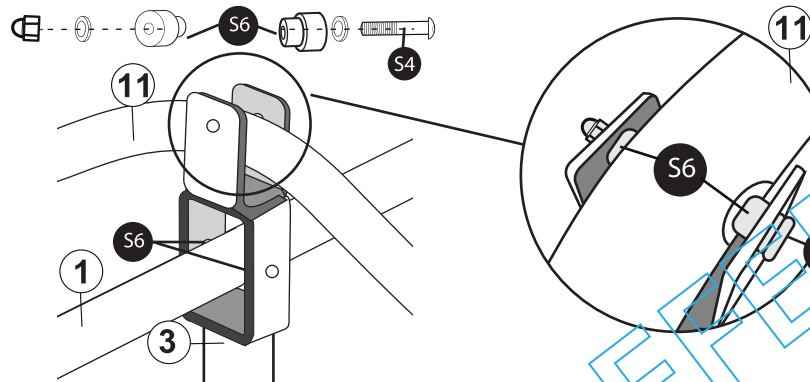
IMPORTANT: Make sure you read the safety notice on the front page and always supervise children while they are playing on the equipment. Once assembly is completed carefully check equipment. In the unlikely event that you do find any problems, please contact us. Do not allow children to use this product until the problem has been corrected.



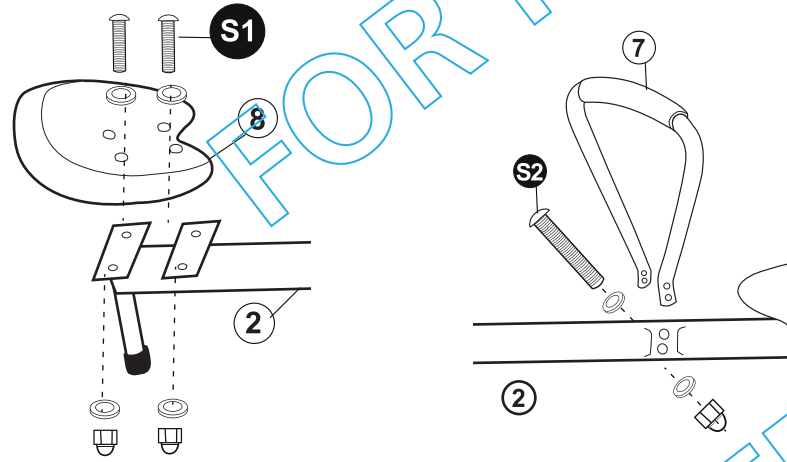
Assembly Instructions

STEPS 1 - 4

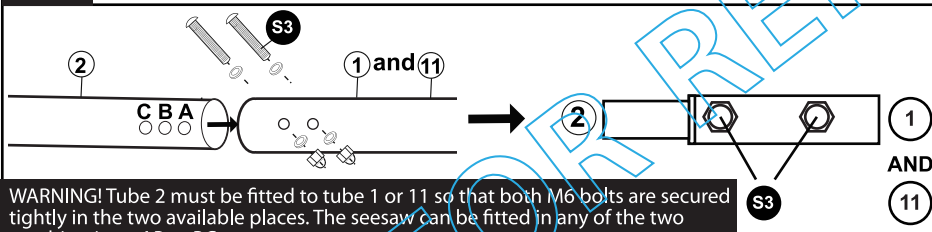
1 **S4** M6 BOLT 63MM (X2) **S6** PLASTIC SPACER (X4)



2 **S1** M6 BOLT 25mm (X16) **3** **S2** M6 BOLT 70mm (X8)



4 **S3** M6 BOLT 52mm (X8)

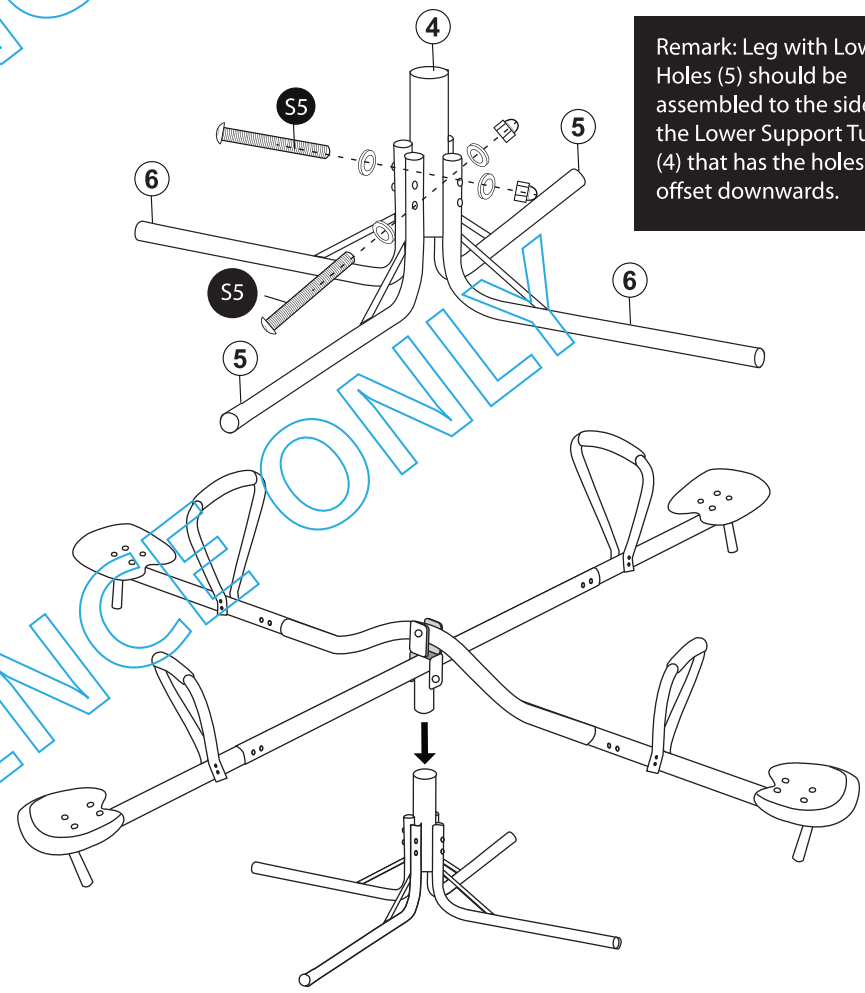


WARNING! Tube 2 must be fitted to tube 1 or 11 so that both M6 bolts are secured tightly in the two available places. The seesaw can be fitted in any of the two combinations: AB or BC.

Assembly Instructions

STEPS 5 - 6

S5 M6 BOLT 94MM (X4)



Remark: Leg with Low Holes (5) should be assembled to the side of the Lower Support Tube (4) that has the holes offset downwards.

MV Sports & Leisure Ltd.
35 Tameside Drive
Castle Bromwich
Birmingham B35 7AG
United Kingdom
email: info@mvsports.com
www.mvsports.com

CUSTOMER SERVICES
MV has taken great care to ensure that this item has reached you in good condition. Should you have a query, please contact customer.services@mvsports.com where your query will be dealt with promptly. Alternatively, you can call on 0121 748 8017.

CE
UK
CA
This mark denotes compliance with the standards laid down by the E.C. (European Community).
It is in your best interest to keep a note of our name and address for future reference. If you have any complaints or find this product to be faulty, in order to avoid any delay, please contact the distributor at the address shown below.
Vulcan Consulting
EU Authorised Representative, The Merrion Buildings - Iconic offices, 18-20 Merrion Street, Dublin 2, D02 XH98, Ireland.